



2MP HD-TVI

Outdoor Autofocus Dome Camera

Camera Installation & Configuration

Model no: OE-C3442-AWR



Please carefully read these instructions before using this product. Save this document for future use. 35500AD

Regulatory Compliance

FCC COMPLIANCE

This product has been tested and found to comply with the limits for a Class A digital device pursuant to Part 15 of the FCC rules. These limits are designed to provide reasonable protection against harmful interference when the equipment is operated in a commercial environment. The product generates, uses, and can radiate radio frequency energy, and, if not installed and used in accordance with the manufacturer's instruction manual, may cause harmful interference with radio communications. Operation of this product in a residential area is likely to cause harmful interference, in which case you will be required to correct the interference at your own expense.

This device complies with Part 15 of the FCC Rules. Operation is subject to the following two conditions:

1. This device may not cause harmful interference.
2. This device must accept any interference received, including interference that may cause undesired operation.

These limits are designed to provide reasonable protection against harmful interference in a non-residential installation. However, there is no guarantee that interference will not occur in a particular installation. If this equipment does cause harmful interference with the radio or television reception, which can be determined by turning the equipment off and on, you are encouraged to try to correct the interference by one or more of the following measures:

1. Reorient or relocate the antenna of the radio/television receiver.
2. Increase the separation between this equipment and the radio/television receiver.
3. Plug the equipment into a different outlet so that the equipment and the radio/television receiver are on different power mains branch circuits.
4. Consult the dealer or an experienced radio/television technician for additional suggestions.



23221 E Knox Ave
Liberty Lake, WA 99019
1.888.542.1103
www.openeye.net

General Specifications

Model No.	OE-C3442-AWR
Maximum Resolution	2MP
Image Sensor	1/3" Progressive Scan CMOS
Type / Format	NTSC
Lens	2.8-12mm
FoV	32.1° - 103°
Iris Control	Auto-Iris
Wide Dynamic Range	True WDR
Day/Night	True Day/Night: Auto/Color/BW (Black and White)
Minimum Illumination	Color: 0.005 Lux @ (F1.8, AGC ON) B/W: 0 Lux with IR (@ 30IRE)
White Balance	ATW/Manual
Auto White Balance Range	2200K - 15000K
Backlight Compensation	Global/WDR/BLC
Auto Gain Control	Yes
Synchronization	Internal Synchronization
IP Rating	IP67
IK Rating	IK10
Operating Temperature	-40° - 140°F (-40° - 60°C)
Heater	Yes
Power Consumption	Max 7W
Input Voltage	12vDC / 24vAC
IR Range	40M
Weight	3.53 lbs. (1600g)
Dimensions	Φ: 5.72" (145.2 mm) x H: 4.89" (124.1 mm)
Housing	Metal housing / White / Clear
Country of Origin	China

Precaution

- Do not attempt to dismantle the camera module mounted within the dome. There are no user serviceable parts in the camera module. Refer servicing to a qualified professional.
- Handle the camera with care. Do not abuse the camera. Avoid striking or shaking it. Improper handling and storage could damage the camera.
- Do not operate the camera beyond its temperature or power source rating. Refer to the environmental information provided in this document.

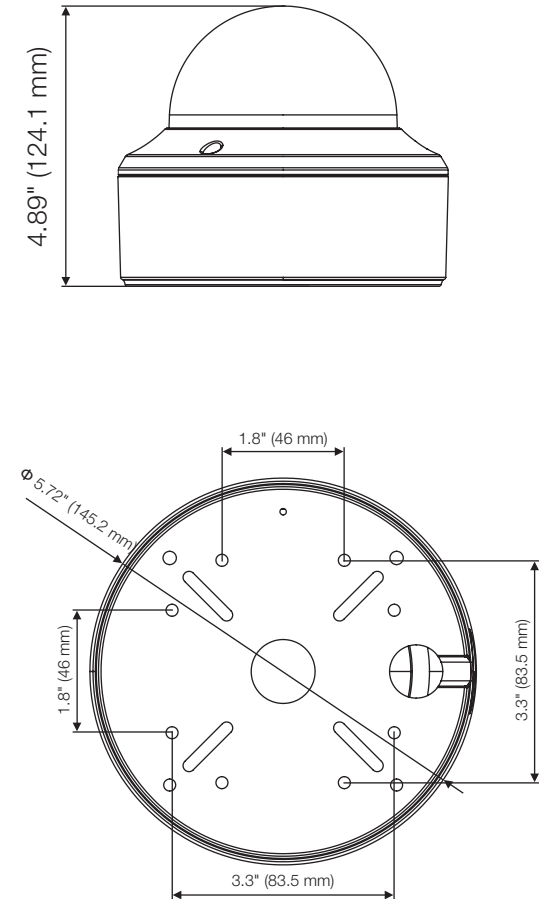
Features

- 2MP Maximum Resolution
- IP67 Outdoor Rating
- True Day / Night
- True Wide Dynamic Range
- 1/3" Progressive CMOS Image Sensor
- Adaptive IR Technology
- 3-Axis Gimbal

Box Contents

- Mounting Template (x1)
- Converter Cable (x1)
- Manual/QSG (x1)
- T20 Torx Driver (x1)
- M4 x 16mm Torx Screws (x3)
- Wall Anchors and M4 x 25mm Mounting Screws(x4)

Dimensions



Ceiling Mounting Installation

Before you start:

Both wall mounting and ceiling mounting are suitable for the dome camera. Ceiling mounting will be taken as an example in this section. And you can take steps of ceiling mounting as a reference for wall mounting.

Steps:

1. Paste the drill template to the ceiling.
2. Drill screw holes and the cable hole (optional) on the ceiling according to the supplied drill template.
Note: Drill the cable hole when adopting the ceiling outlet to route the cable.
3. Loosen the screws on the bubble of the dome camera to remove the bubble and the black liner

4. Attach the back box of type I camera/base plate of type II camera to the ceiling and secure them with supplied screws.

Note: The supplied screw package contains self-tapping screws, and expansion bolts.

For cement wall, expansion bolts are required to fix the camera. For wooden wall, self-tapping screws are required.

5. Route the cables through the cable hole, or the side opening.
6. Align the camera with the back box/base plate, and tighten the screws to secure the camera with the back box/base plate.
7. Connect the corresponding cables, such as power cord, and video cable.
8. Power on the camera to check whether the image on the monitor is gotten from the optimum angle. If not, adjust the camera according to the figure below to get an optimum angle.
9. Prior to reattaching the dome, verify the alignment of the dome gasket and realign the gasket if necessary. Failure to properly realign the gasket could result in water ingress and potentially void the camera warranty.
10. Fit the black liner back to the camera and tighten the screws on the bubble of the dome camera to finish the installation.

Accessing the Camera's On-Screen Menu

This camera has an on-screen menu for adjusting camera settings. In order to operate this menu the camera must be connected to a device that supports UTC control.

1. Connect Camera to a recorder or device which supports HD-TVI and UTC.

2. Enable and navigate the on-screen menu using the devices PTZ interface or dedicated UTC function
 - a. Most HD Analog Recorders that have UTC capability utilize the PTZ control menu to access and navigate the on-screen menu
 - b. Consult the manufacturers product manual for specific instructions on UTC or PTZ control

Note: When connecting to an OpenEye M-Series recorder you must use OWS Command Station and its PTZ controls to access the cameras on-screen menu. Please see your OWS Command Station Manual for further instruction on accessing the camera's OSD menu.

Autofocus and Zoom Control

This camera is equipped with an autofocus motorized lens. In order to control the zoom and focus controls you will need to trigger them through the camera's on-screen menu.

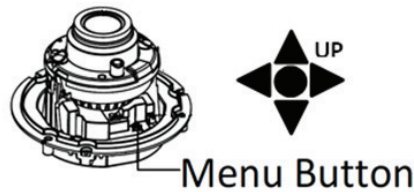
1. Access the camera's on-screen menu
2. Select FOCUS on the main OSD menu to enter the submenu.
3. Select ZOOM+, ZOOM-, FOCUS+ or FOCUS- to zoom and focus your camera
 - a. The camera will automatically focus when you adjust the zoom

For more information on setting up your HD-TVI camera please visit openeye.net/support/faqs or contact Technical support at 1-888-542-1103.

Locally Access OSD Menu

The OE-C3442-AWR camera is equipped with a multi-position switch that allows you to locally access the OSD menu.

1. Press the center Menu Button to enter the menu.
2. Use the Menu Directional Buttons to navigate to the desired sub-menu.
3. Press the Menu Button again to enter the sub-menu and navigate to the desired setting.
4. Navigate to the main menu page to save and exit the OSD menu to retain your setting's.



Camera OSD Menu

