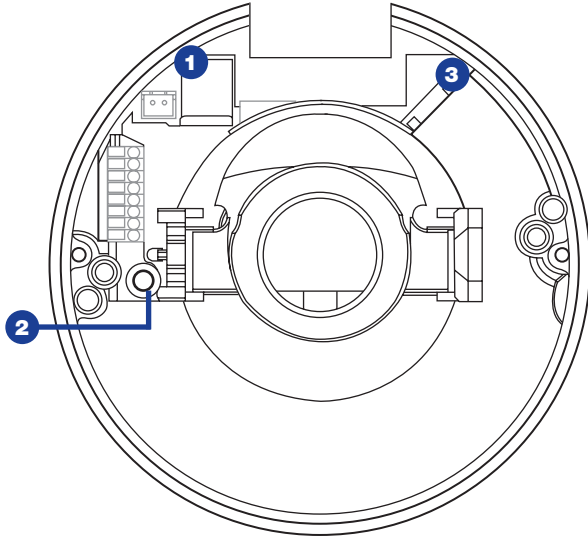


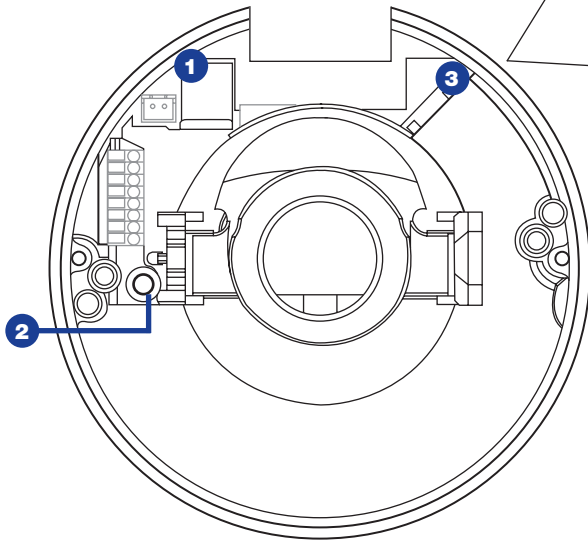
CONNECTIONS

OE-C6413-AWR

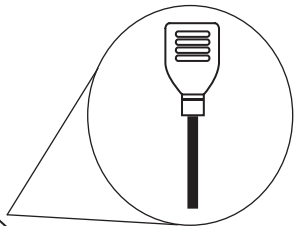


microSD Card Slot	1	Insert the microSD card into the card slot to store video and snapshots
Reset Button	2	Press the reset button with a proper tool for at least 20 seconds to return the camera to factory defaults
RJ-45	3	For network and PoE connections

OE-C7413-AWR



microSD Card Slot	1	Insert the microSD card into the card slot to store video and snapshots
Reset Button	2	Press the reset button with a proper tool for at least 20 seconds to return the camera to factory defaults
RJ-45 Dongle	3	For network and PoE connections



OpenEye®

QUICK START GUIDE

OE-C6413-AWR / OE-C7413-AWR | 3MP HDR IP Dome Camera

This quick operation guide is a quick reference for users to install and operate the dome camera and only provides basic information on the camera's settings and operation. Before attempting to connect, configure and operate the dome camera, please read the user manual thoroughly.

OpenEye®

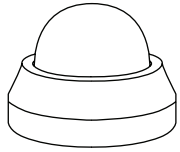
23221 E Knox Ave
Liberty Lake, WA 99019
509.232.5261
www.openeye.net

Copyright ©2019 OpenEye.
All Rights Reserved. Information contained in this document is subject to change without prior notice. OpenEye does its best to provide accurate information but cannot be held responsible for typos or mistakes.

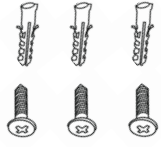
35024AD

www.openeye.net

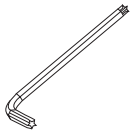
CONTENTS



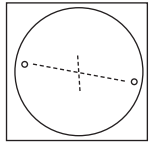
OE-C6413 / 7413-AWR
IP Dome Camera



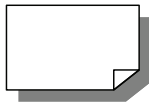
Self-Tapping
Screws (x3) &
Plastic Anchors (x3)



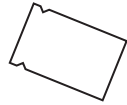
Security Torx
Tool



Mounting
Template



Quick Start
Guide



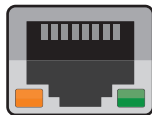
Desiccant Packet
*OE-C7413-AWR only

ETHERNET CABLE CONNECTIONS

Connect a network cable to the camera using the RJ45 input and connect the other end of the cable to your network switch or recorder.

Check the status of the network connection by looking at the link indicator and activity indicator

LEDs. If the LEDs are not lit check your network connection. The green link LED indicates a network connection and the orange activity LED flashes to indicate network activity.



NOTE: If you are connecting the camera directly to a recorder, a crossover cable is necessary for most configurations.

POWER

This camera is compatible Power over Ethernet (PoE). When using PoE, make sure the Power Sourcing Equipment (PSE) is in use in the network.

CONNECTING TO THE IP CAMERA

To access the camera setup menu, you need to install the OpenEye Network Camera Manager on a PC on the same network. To install the OpenEye Network Camera Manager application on your PC, download the program from Openeye.net, and follow the prompts.

1. Open **Network Camera Manager**, and click **Find Devices**.
2. Locate your camera on the **Network Camera Manager** list.
3. To open the viewer software in your web browser, double-click the camera, and then click **Browse**.

The first time you connect to the camera you will be automatically prompted to install a plugin to view live video.



NOTE ActiveX controller is for use with Internet Explorer only. Use the QuickTime plugin with other web browsers.

Default Username and Password

The username and password are case sensitive. It is strongly recommended that the password be changed after the initial setup to prevent unauthorized access. Any password change will need to be applied to your recorder also.

Username: **admin**
Password: **1234**

ASSIGNING AN IP ADDRESS

OpenEye IP cameras default to DHCP. This automatically assigns an IP address to the camera. If no DHCP is available, the camera will default to a static IP of 192.168.0.250 after four minutes. To modify the IP address, use the OpenEye Network Camera Manager.



TIP Static IP is the recommended default.

1. Open the Network Camera Manager application.
2. Click **Refresh** to find devices, and then check the checkboxes next to the desired cameras.
3. Click **Network Setup**.
4. Select **Static IP** and type the new IP address and other network information in the appropriate boxes.
- or -
Select **DHCP**.
5. Click **Apply**.
6. Click **OK** to acknowledge the change.

Network Configuration

IP Address: [] Subnet: []

Gateway: [] DNS: []

DHCP

ENVIRONMENTAL FACTORS

Environmental factors can cause condensation on the camera dome, obscuring the view. For the OE-C7413-AWR, it is recommended that you put the desiccant packet inside the dome to prevent condensation.

PRODUCT FEATURES

Camera	
Maximum Resolution	3MP
Frame Rate at Maximum Resolution	30FPS @ 3MP H.264
Total Streams	Up to 3 simultaneous Streams
ONVIF	ONVIF Profile S Compliant
Day/Night	True Day / Night

Environmental and Power	
IP Rating	IP66 (OE-C7413-AWR only)
Power Consumption	5W
Input Voltage	PoE
Operating Temperature	-4 ~ 122 °F (-20 ~ 50 °C)