

300-SERIES - VANDAL PROOF OUTDOOR DOME

CM-301
CM-306

CM-301H
CM-306H



CM-301



CM-306

DESCRIPTION

OpenEye's 300-Series line of dome cameras provide superior video quality and design. A low lux level for indoor/outdoor low light recording, high TV line resolution, make the 300-Series domes a smart solution for virtually every application.

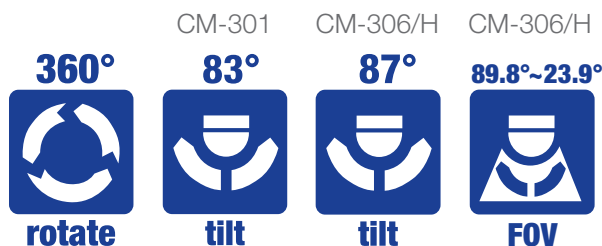
The CM-306 High Resolution Outdoor Dome Camera produces high resolution video and superior low lux performance, providing you with better quality picture and allowing for easy identification in critical situations. This high resolution camera can record at up to 600 lines of resolution and utilizes Digital Wide Dynamic Range (D-WDR) that allows the camera to balance light in high contrast images. With D-WDR, the camera will brighten darker areas while brighter areas remain the same.

The CM-306 can be equipped with an optional heater, allowing operation in temperatures as low as -58°F (-50°C). Designed for tough environments where standard security cameras are not suited to survive, the 300-Series domes are reinforced with a high-grade polycarbonate housing utilizing triple wall construction which can withstand almost any damage, making it one of the most tightly integrated vandal proof domes on the market.

OpenEye 300-Series cameras are compatible with both 12vDC and 24vAC power making them easy to add to an existing installation and are compatible with the optional quick mount adapter – everything needed for a quick and easy out-of-the-box installation.

HIGHLIGHTS

- » Varifocal lens
- » Digital-WDR for better high contrast images (CM-306)
- » IP 66 Rated for indoor / outdoor use
- » Day / Night operation
- » Sony® 1/3" Super HAD CCD color sensor
- » Integrated quick mount capable
- » Dual voltage



300-SERIES - VANDAL PROOF OUTDOOR DOME

CAMERA SPECIFICATIONS

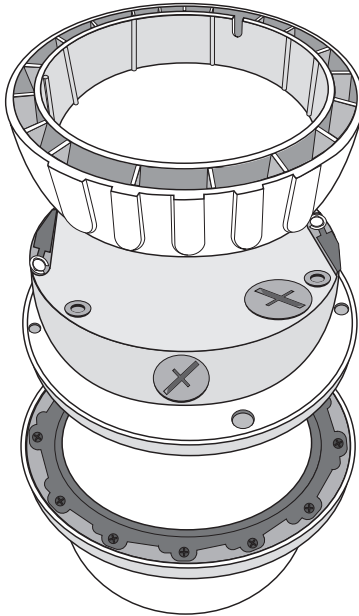
	CM-301	CM-301H	CM-306	CM-306H
Image Sensor	1/3" Sony SuperHAD		1/3" Sony SuperHAD II	
Imaging DSP	Sony SS-11X		V6	
IP Rating	IP66		IP66	
Type / Format	NTSC		NTSC / PAL	
Wide Dynamic Range	No		Digital WDR	
Minimum Illumination	1.2 lux @ F1.6 (50 IRE)		0.3 Lux @ F1.2 (AGC Max) @ 50 IRE 0.1 Lux @ F1.2 (AGC Max) @ 30 IRE	
Day / Night	Yes		Digital Day/Night Function	
Horizontal TVL	500 TVL		600TVL	
Service Monitor Jack	No		Yes	
S/N Ratio	48dB		>50dB	
Focal Length	4~9 mm		3.3~12mm	
Iris Control	DC Type Auto IRIS Control		Auto-Iris	
Synchronization	Internal		Internal	
Video Output	1.0Vpp 75Ω BNC Unbalanced		1.0Vpp 75Ω BNC Unbalanced	
White Balance	AWB		AWB, ATW, ATW2, AWC, MWB, Indoor, Outdoor	
Auto White Balance Range	2500 K ~ 9700 K		AWB/ATW: 2700 K ~ 9700 K AWT2: 2500 K ~ 20,000 K	
Backlight Compensation	Center Area for DC IRIS Lens		On, Off, HLC	
Auto Gain Control	Automatic		Low, Mid, High, Off	
Operating Temperature	14°F ~ 122°F (-10°C ~ 50°C)	-58°F ~ 122°F (-50°C ~ 50°C)	14° ~ 122° F (-10° ~ 50°C)	-40° ~ 122° F (-40° ~ 50°C)
Heater	Optional	Yes	Optional	Yes
Power Consumption	3.2W (Max)	14.6W (Max)	2.4W MAX	9W Max
Rated Amperage	12vDC: 0.27A 24vAC: 0.13A	0.61A	12vDC: 0.2A 24vAC: 0.1A	0.37A
Input Voltage	12vDC / 24vAC (±10%)	24vAC (±10%)	12vDC / 24vAC (±10%)	24vAC (±10%)
Weight	1.2 lbs (0.5 kg)		1.98 lbs (0.9 kg)	
Dimensions	Dome: Ø3.1" (80 mm) x H: 1.7" (45 mm) Housing: Ø5.5" (140 mm) x H: 2.1" (55 mm)		Dome: Ø3.9" (100mm) x H: 1.7" (45mm) Housing: Ø5.3" (135mm) x H: 1.9" (50mm)	
Housing / Dome Cover	White / Clear		Gray / Clear	

300-SERIES - VANDAL PROOF OUTDOOR DOME

RUGGED TRIPLE-WALL POLYCARBONATE CONSTRUCTION

Built from highly durable polycarbonate plastic and engineered with a triple walled outer casing, the 300-Series demonstrates superior resistance to extreme temperatures and can withstand significant blunt force impacts.

The 300-Series is equally suited for outdoor use or indoors in locations such as warehouses, storage freezers, and other areas requiring highly durable cameras. The 300-Series is dust proof and weather resistant with an IP66 rating.



ACCESSORIES / UPGRADES

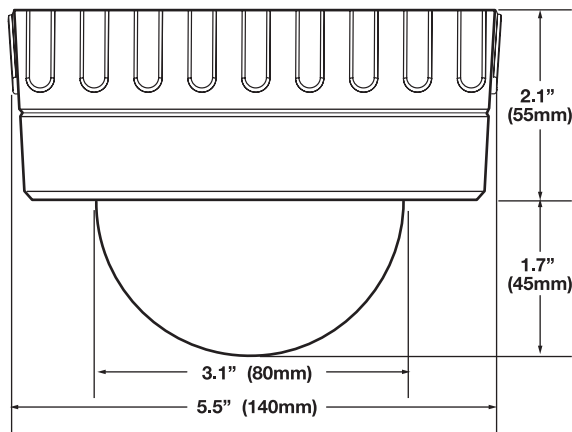
OE-CA300PMK	Pendant Mount Kit
OE-CA300C	Corner Mount
OE-CA3004SM	Electrical Mount
OE-CA300W	Wall Mount
OE-CA300P	Quick Mount Adapter
CA-306HTR	Heater Module for CM-306
CA-301HTR	Heater Module for CM-301
CA-300VP	Video Power

300-SERIES MODELS

CM-301	Standard Outdoor Dome Camera
CM-301H	Standard Outdoor Dome Camera w/ Heater
CM-306	High Resolution Outdoor Dome Camera
CM-306H	High Resolution Outdoor Dome Camera w/ Heater

SYSTEM IMAGES

CM-301



CM-306

