

700-SERIES - HIGH RESOLUTION OUTDOOR IP DOME

CM-716
CM-716A

CM-716I
CM-716AI



DESCRIPTION

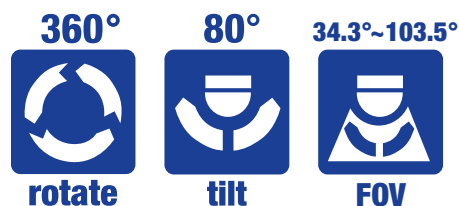
OpenEye's 700-Series high resolution outdoor IP dome cameras provide superior video quality and design. With features such as full HD 1080p 2 megapixel resolution and a tamper resistant design, the CM-716 camera is a smart choice for outdoor surveillance applications. The CM-716A model provides the same features with the addition of a software-activated auto-focus lens making installation quick and easy.

The CM-716I and CM-716AI models are equipped with 24 infrared LEDs that allow the camera to record high resolution images in 0 lux.

Designed for tough environments where standard security cameras are not suited to survive, all CM-716 models are equipped with a heater allowing operation in temperatures as low as -31°F (-35°C). The CM-716 camera can be connected to both 24vAC and 12vDC power or to a PoE switch. 24vAC power is required to operate the on-board heater.

HIGHLIGHTS

- » ONVIF™ compliant
- » H.264 / MJPEG quad streaming
- » 2MP resolution (1080p HD)
- » IP66 weatherproof rating
- » True day / night
- » Optional autofocus lens
- » Optional 24 IR LEDs



700-SERIES - HIGH RESOLUTION OUTDOOR IP DOME

CAMERA SPECIFICATIONS

	CM-716	CM-716A	CM-716I	CM-716AI
Image Sensor	1/2.7" CMOS			
IP Rating	IP66			
Type / Format	H.264 / MJPEG			
Wide Dynamic Range	Digital Wide Dynamic Range			
Minimum Illumination	Color: 0.5 Lux, B&W: 0.1 Lux @ 50 IRE Color: 0.2 Lux, B&W: 0.02 Lux @ 30 IRE		Color: 0.5 Lux, B&W: 0.1 Lux, IR LED Engaged: 0 Lux @ 50 IRE Color: 0.2 Lux, B&W: 0.02 Lux, IR LED Engaged: 0 Lux @ 30 IRE	
Day / Night	Yes (True Day Night)		Yes (True Day Night + IR LED)	
Resolution	15 IPS @ 1080p [1920 x 1280 / 2MP], 30 IPS @ 1280 x 1024 (1.3MP), 30 IPS @ 720p [1280 x 720 / 1MP], 30 IPS @ D1 [720 x 480], 30 IPS @ CIF [352 x 240]			
Service Monitor Jack	Yes (BNC)			
S/N Ratio	>50dB			
Focal Length	3 ~ 9mm	3 ~ 9mm motorized lens	3 ~ 9mm	3 ~ 9mm motorized lens
Iris Control	F1.2 Fixed			
Video Output	1.0 Vp-p / 75Ω, BNC			
White Balance	Manual / AWB / ATB			
AWB Range	2700K~7800K			
Backlight Compensation	No			
Auto Gain Control	Auto			
Operating Temperature	24vAC: -31°F ~ 122°F (-35°C ~ 50°C) 12vDC: -22°F ~ 122°F (-30°C ~ 50°C) PoE: 14°F ~ 122°F (-10°C ~ 50°C)			
Heater	Yes (with fan)			
Power Consumption	5W + 6W (Heater) + 1W (Fan) = 12W	5W + 6W (Heater) + 1W (Fan) + 3.6W (Lens) = 15.6W	5W + 6W (Heater) + 1W (Fan) + 3W (IR LED) = 15W	5W + 6W (Heater) + 1W (Fan) + 3W (IR LED) + 3.6 W (Lens) = 18.6W
Rated Amperage	0.5A	0.65A	0.63A	0.78A
Input Voltage	24vAC (12vDC / PoE)*			
IR Range	N / A		50ft (15m)	
IR LED	N / A		850nm (24 LEDs)	
Weight	1.7 lbs. (0.77 kg)			
Dimensions	Housing: Ø 5.9" (150mm) H: 5.1" (130mm)			
Housing / Dome Cover	White / Clear			

* 24vAC power required to operate on-board heater

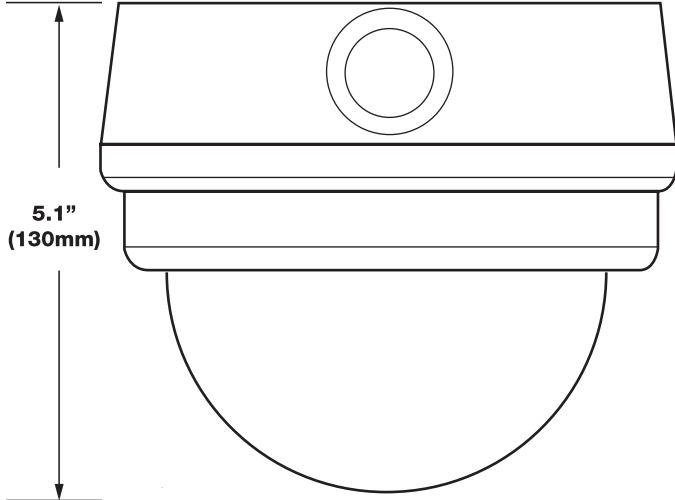
IP SPECIFICATIONS

	H.264 + H.264, H.264 + MJPEG			
Dual Streaming				
Audio In	1	1	1	1
Audio Out	1	1	1	1
Alarm Inputs	1	1	1	1
Relay Outputs	1	1	1	1
User Accounts	20	20	20	20

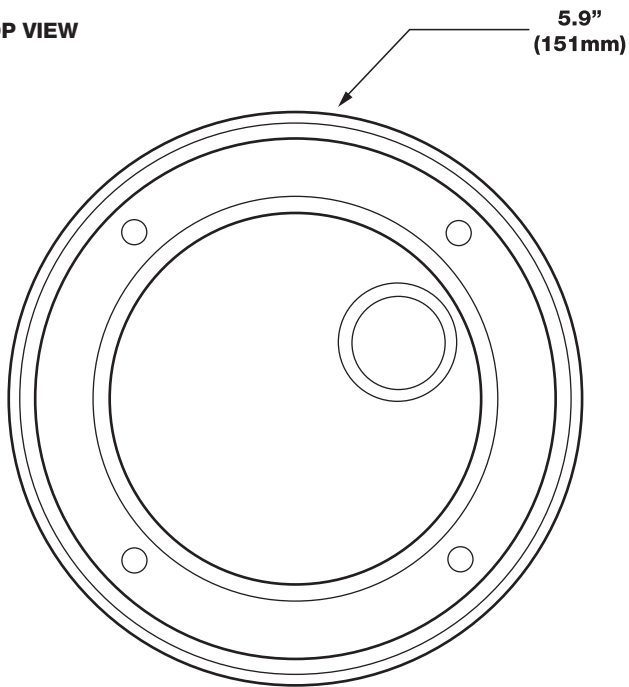
700-SERIES - HIGH RESOLUTION OUTDOOR IP DOME

SYSTEM IMAGES

SIDE VIEW



TOP VIEW



ACCESSORIES / UPGRADES

CA-730FMK	Flush Mount Kit
CA-730PH*	Pendant Housing
<small>*CA-730PH Pendant Housing is compatible with all CA-510 mounting accessories</small>	

700-SERIES MODELS

CM-716	High Resolution Outdoor IP Dome
CM-716A	High Resolution Outdoor IP Dome w/ Motorized Lens
CM-716I	High Resolution Outdoor IR IP Dome
CM-716AI	High Resolution Outdoor IR IP Dome w/ Motorized Lens