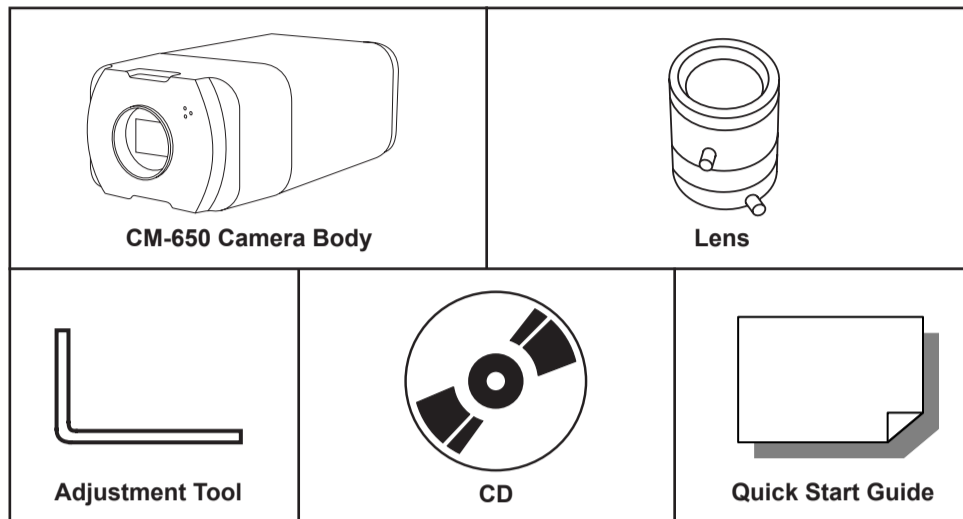
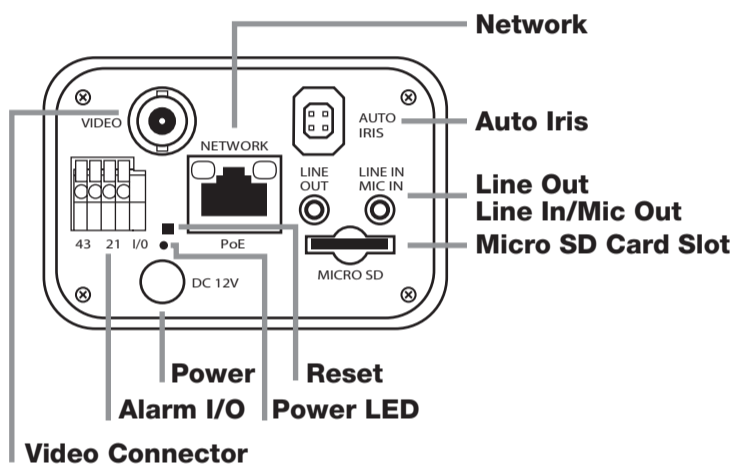


This quick operation guide is a quick reference for users to install and operate the IP camera and only provides basic information on the camera's settings and operation. Before attempting to connect, configure and operate the dome camera, please read the user manual thoroughly.

Box Contents



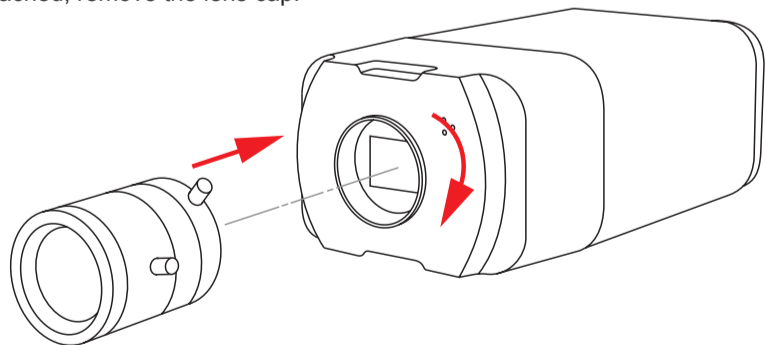
Connections



Item	Pin	Definition
Video Connector	-	Analog Video Output
Alarm I/O	1	Output +
	2	Output -
	3	Input +
	4	Input -
Power Connection	-	12V Power
Reset button	-	Reset to factory default
Power LED	-	Power connection indication
Network (RJ45)	-	10/100 Ethernet PoE
Network LEDs	-	Network connection and activity
Auto Iris Connection	-	Auto Iris Lens Connector
Line Out; Line In / Mic Out	-	Two-way audio transmission
Micro SD Card Slot	-	For video storage

Attaching the Lens

The lens for the CM-650 is shipped separate from the camera. To attach the CM-650 lens, remove the cover from the lens fixture on the body of the camera, and then attach the lens by screwing it onto the fixture. Be careful not to touch the photosensor inside the body of the camera. Once the lens is attached, remove the lens cap.



Power

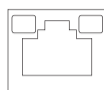
The IP camera is compatible with 12vDC and Power over Ethernet (PoE). Connect power to the camera using the provided power connector lead, or the terminal connector blocks. If you are connecting 12vDC power, verify the polarity of the power connection. If you are using PoE, make sure the Power Sourcing Equipment (PSE) is in use in the network.

Power Source	Operational Temperature Range
12V DC / PoE	14°F~122°F (-10°C~50°C)

Ethernet Cable Connection

Connect a network cable to the camera using the RJ45 input and connect the other end of the cable to your network switch or recorder.

Note If you are connecting the camera directly to a recorder, a crossover cable is necessary for most configurations.



Check the status of the network connection by looking at the link indicator and activity indicator LEDs. If the LEDs are not lit check your network connection. The green link LED indicates a network connection and the orange activity LED flashes to indicate network activity.

Connecting to the IP Camera

To access the CM-M806 setup menu, you need to install the OpenEye Network Camera Manager on your PC or DVR. To install the OpenEye Network Camera Manager application on your PC, insert the included software CD, or download the program from openeye.net, and follow the prompts.

1. Open **Network Camera Manager**, and click **Find Devices**.
2. Locate your camera on the **Network Camera Manager** list.
3. To open the viewer software in your web browser, double-click the camera, and then click **Browse**.

The first time you connect to the camera you will automatically be prompted to install the ActiveX controller. If your internet browser doesn't install the viewer software, check the security settings or ActiveX controls and plug-in settings. If your internet browser asks for permission to install the ActiveX control, you must allow the ActiveX control to continue the installation.

To enable installation of ActiveX controls on Internet Explorer:

1. From the **Tools** menu, click **Internet Options**.
2. Click the **Security** tab and then click the **Internet** icon.
3. Click **Custom Level** and ensure that all **ActiveX controls and plug-ins** are set to **Enable or Prompt**.

To add the camera to your trusted sites:

1. From the **Tools** menu, click **Internet Options**.
2. Click the **Security** tab and then click the **Trusted Sites** icon.
3. Click **Sites**.
4. Type the **IP Address** of the camera. Ensure that the **Require server verification** check box is cleared.

For additional information on adjusting the settings of your internet browser contact your system administrator or refer to the FAQs at openeye.net.

Default Username and Password

The username and password are case sensitive. It is strongly recommended that the password be changed after the initial setup to prevent unauthorized access.

Username – **Admin**

Password – **1234**

Assigning an IP Address

OpenEye IP cameras come with the default IP address 192.168.0.250. To reset the IP address, use the OpenEye Network Camera Manager application to set a new static IP, or use DHCP.

1. Open the Network Camera Manager application.
2. Click **Find Devices**, and then double-click your camera.
3. Click **Network Setup**.
4. Select **Static IP** and type the new IP address and other network information in the appropriate boxes. - OR - Select **DHCP**.
5. Click **Apply**.
6. Click **OK** to acknowledge the change.
7. After one minute, click **Find Devices** to search for all connected IP devices.
8. Double-click the camera, and then click **Browse**.
9. Type the **Username** and **Password** to access the camera.

