

4K ULTRA HIGH-DEFINITION IP BOX CAMERA

OE-C9518



DESCRIPTION

Delivering ultra high definition images, the OE-C9518 is a 4K box camera designed for indoor installations. Features on the OE-C9518 include quad streaming and an IR cut filter for true day/night images. A 3.6–10 mm P-Iris lens, designed to fit a number of applications, is available to use with this camera.

All OpenEye cameras are fully ONVIF compliant and compatible with the OpenEye Web Services platform, allowing multiple users to view high quality images and perform setup through a remote Web browser.

FEATURES

- 4K / 8MP (3840 x 2160) maximum resolution
- True Day / Night
- Digital Wide Dynamic Range
- MJPEG / H.264 video compression
- Sony IMX-226 image sensor
- ONVIF Profile S compliant

SPECIFICATIONS

CAMERA	
Part Number	OE-C9518
Maximum Resolution	4K / 2K (3840 x 2160)
Image Sensor	Sony IMX-226
Video Compression	H.264 / MJPEG
Frame Rate	25 / 30FPS @ H.264 4K/2K
ONVIF	Profile S
Streaming	Up to 4 simultaneous streams
Browser Support	Internet Explorer (6.0+) / Chrome / Firefox / Safari
Day / Night	True Day / Night
Wide Dynamic Range	Digital WDR on / off
Minimum Illumination @ 50IRE	0.5 lux @F1.8 (Color) 0.05 lux @F1.8 (B/W)
Minimum Illumination @ 30IRE	0.05 lux @F1.8 (Color) 0.005 lux @F1.8 (B/W)
White Balance	Auto / Manual / ATW / One Push
Auto White Balance Range	2700K~7800K
Backlight Compensation	2500K~10000K
Auto Gain Control	Yes

ENVIRONMENTAL	
Operating Temperature	14 ~ 122 °F (-10 ~ 50 °C)

POWER	
Power Consumption	Max 8.5W
Input Voltage	12VDC / PoE
PoE Class	3

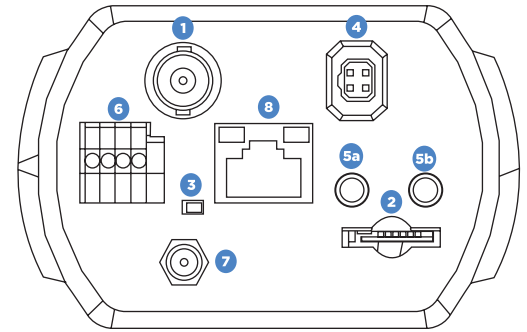
PHYSICAL	
Analog Output	1.0 Vp-p / 75 Ω, BNC
Audio In/Out	Stereo phone jack, ø 3.5 mm
Alarm In/Out	4 Pin Terminal Block
microSD Card Slot	SDXC 64GB support
Camera Weight	0.87lb (395g) w/o lens
Dimensions	L: 5.9 x W: 3.1 x H: 2in (148.6 x 79.7 x 52.6mm) w/o lens
Housing / Dome Cover	Plastic Housing

ACCESSORIES

CA-L3610CS

3.6 ~ 10mm, 1/1.8" CS Mount Lens, P-Iris

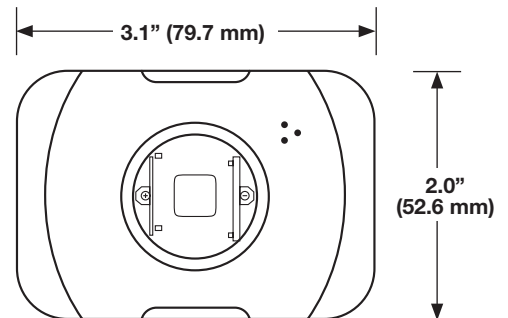
CONNECTIONS



BNC	1	For analog video output
microSD Card Slot	2	Insert the microSD card into the card slot to store video and snapshots
Reset Button	3	Press the reset button with a proper tool for at least 20 seconds to return the camera to factory defaults
Auto Iris	4	Auto iris lens connection
Audio I/O	5a	Line Out
	5b	Line In / Line Out
Alarm I/O	6	Alarm I/O block
Power (DC12V)	7	Alternate power supply to camera for non-PoE networks
RJ-45	8	For network and PoE connections

DIMENSIONS

FRONT VIEW



TOP VIEW

