

## OE-C7564-AWR REV B | OUTDOOR 4MP IR IP DOME CAMERA

### General Information:

Product Manager: Sean McCall

Engineering Release Date: 09/23/2019

Launch Date: Q1 2020

### INTRODUCTION

#### OE-C7564-AWR REV B

The OE-C7564-AWR REV B is high powered outdoor IP dome camera equipped with a 4MP 2.7~12mm motorized autofocus lens that provides crisp and clear images. These cameras include improved true WDR and True Day/Night for significantly improved low light performance, and adaptive IR technology to prevent overexposure of objects close to the camera. Network throughput and storage requirements are reduced with H.264 or H.265, both using smart compression technology with low bitrate control dynamically compresses the camera's video to reduce its bitrate. These cameras are IP66 rated and function down to -67°F using the improved internal heater making them the preferred camera for extreme weather installations. In addition, these cameras are IK10-rated for maximum impact resistance and improved security peace of mind.

The OE-C7564-AWR REV B is ONVIF™ profile S/G/T compliant and are fully compatible with the OpenEye Web Services platform, allowing multiple users to view high quality images and perform remote setup using a Web browser.

### IN BRIEF

- 2.7~12mm 4X Optical Zoom Motorized Autofocus Lens
- Increased optical zoom from 3X to 4X
- IP66 rated for outdoor installation
- IK10 rated for maximum impact resistance
- Adaptive IR
- H.265 Codec option
- Improved Smart Compression
- Improved WDR image processing
- Retains BNC out



### VALUE PROPOSITION

OpenEye is releasing a new revision of the OE-C7564-AWR dome camera. The OE-C7564-AWR REV B is an indoor/outdoor 4MP autofocus dome providing improved image detail and quality, reduced video transmission bitrates, increased environmental capabilities, and longer focal range at the same price point.

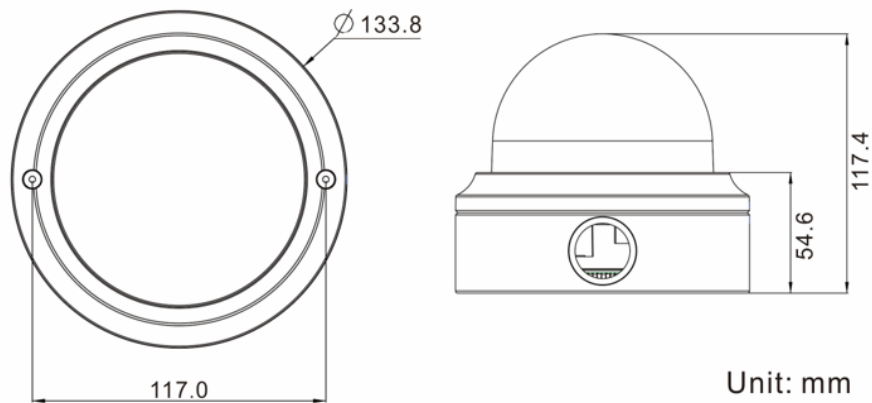
## CUSTOMER NEED, FEATURE FUNCTION, VALUE VS. ALTERNATIVE

Customer need	Feature / Function	Value vs. next best alternative
<p><b>Improved image detail:</b> Users want to see more detail in high contrast scenes with areas that are very bright and others areas that are in shadow (outdoor scenes with heavy shadowing)</p>	<p><b>Improved WDR:</b> Takes high contrast scenes and average the highs and lows to produce an image with improved detail.</p>	<p><b>Value:</b> True WDR in a powerful low-cost camera with up to 4MP resolution</p> <p><b>Next best alternative:</b> Digital WDR which is not capable of adjusting for as much contrast in a scene.</p>
<p><b>Clear video in low light:</b> Users want clear video in scenes of extreme low light regardless of a subject's location in the scene (near or far).</p>	<p><b>Adaptive IR:</b> Illuminates a scene using invisible infrared light even when no or low visible light is present. The adaptive part of the technology adjusts the IR output when an object is close to the camera so it does not get over illuminated and washed out, and instead retains detail and clarity.</p>	<p><b>Value:</b> Provides a clear image in low light situations without IR wash out.</p> <p><b>Next best alternative:</b> Standard IR can wash out the center of the image resulting in an unusable image.</p>
<p><b>Lower cost solutions:</b> End-Users and Channel Partners want lower cost recording solutions.</p>	<p><b>H.264/H.265 with smart compression:</b> Reduces the bitrate of video data transmitted from the camera.</p>	<p><b>Value:</b> Reduced video storage requirements can reduce storage costs or increase storage retention time, both of which can help win more business. Lower bandwidth requirements can also save on network infrastructure costs.</p> <p><b>Next best alternative:</b> A camera with standard compression which consumes more storage space and increases system costs.</p>
<p><b>Improved mobile performance:</b> Users want better performance when viewing video remotely, even in environments with poor network performance.</p>	<p><b>H.264/H.265 with smart compression:</b> Reduces the bitrate of video data transmitted from the camera.</p>	<p><b>Value:</b> Reduced camera bitrates reduce network loads which can improve remote viewing performance in bandwidth restricted environments.</p> <p><b>Next best alternative:</b> A camera with standard compression and poorer remote performance.</p>
<p><b>Cost effective pricing / high value:</b> Improved features and quality at the same or reduced price point.</p>	<p><b>Improved features and image quality without increasing cost:</b> Provides customers a better camera at no additional cost.</p>	<p><b>Value:</b> Added Adaptive IR, improved WDR, improved internal heater, added H.265 support and improved Smart Compression for H.264, for a camera and price the customer has already accepted.</p> <p><b>Next best alternative:</b> More expensive mass market IP cameras sold by competitors.</p>

## COMPARISON CHART

Model	OE-7564-AWR REVB	OE-C7564-AWR (previous model)	OE-C7084-WR	OE-C7034-WR
<b>Resolution</b>	4MP	4MP	4MP	4MP
<b>Smart Compression</b>	Yes	Yes	Yes	Yes
<b>True WDR</b>	Yes	Yes	Yes	Yes
<b>Lens</b>	2.7 ~ 12mm, 4X Optical Zoom	3 ~ 9mm, 3X Optical Zoom	2.8 ~ 12mm, 4X Optical Zoom	2.8mm fixed
<b>Field of View</b>	31° ~ 99°	33° ~ 99°	27° ~ 91°	101.8°
<b>Autofocus</b>	Yes, Motorized	Yes, Motorized	Yes, Motorized	No
<b>IP Rating</b>	IP66	IP66	IP67	IP66
<b>IK Rating</b>	IK10	IK10	IK10	IK10
<b>IR Range</b>	Up to 130 feet	Up to 130 feet	Up to 98 feet	Up to 98 feet
<b>Heater</b>	Yes	Yes	No	No
<b>Temperature Range</b>	-67° ~ 131°F	-58° ~ 122°F	-40°F ~ 140°F	-31° ~ 140°F
<b>Input Voltage</b>	12vDC / 24vAC / PoE	12vDC / 24vAC / PoE	PoE / 12vDC	PoE / 12vDC
<b>Power Consumption</b>	Max 13.68W	Max 13W	Max 8.5W	Max 5.5W
<b>BNC Out</b>	Yes	Yes	No	No
<b>Dimensions</b>	5.26 x 4.62in (133.8 x 117.4mm)	5.26 x 4.62in (133.8 x 117.4mm)	5.8" x 4.4" (148mm x 111.8mm)	4.28 x 3.2" (108.7 x 81.3mm)

## LINE DRAWINGS

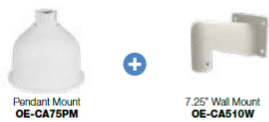


## SPECIFICATIONS

CAMERA	
Part Number	OE-C7624-AWR REV B
Maximum Resolution	4MP
Lens	2.7 ~ 12mm motorized lens
Image Sensor	1/3" Progressive CMOS
Video Compression	H.264 / H.265 / MJPEG
Frame Rate	30FPS @ 4MP H.264
ONVIF	Profile S / G / T compliant
Streaming	Up to 3 simultaneous streams
Browser Support	Internet Explorer (6+) / Chrome / Firefox / Safari
Day / Night	True Day / Night
Wide Dynamic Range	Shutter Wide Dynamic Range
Field of View	109° (wide), 33° (tele)
Iris	P-iris F1.6
Minimum Illumination @ 30IRE	<b>Color:</b> 0.1 Lux <b>B&amp;W:</b> 0.01 Lux
White Balance	Auto / Manual / ATW / One Push
Auto White Balance Range	2700K ~ 7800K
Backlight Compensation	2500K ~ 10000K
Auto Gain Control	Yes
ENVIRONMENTAL	
IP Rating	IP66
Operating Temperature	w/o Heater: -22 ~ 122 °F (-30 ~ 50 °C) w/ Heater: -67 ~ 131 °F (-55 ~ 55 °C)

<b>Heater (Cold Start)</b>	w/o Heater: 14 ~ 122 °F (-10 ~ 50 °C) w/ Heater: -40 ~ 122 °F (-40 ~ 50 °C)
<b>UL Listed Product</b>	Yes
<b>POWER</b>	
<b>Power Consumption</b>	Max 13.68W
<b>Input Voltage</b>	12vDC / 24vAC / PoE
<b>PoE Class</b>	0
<b>PHYSICAL</b>	
<b>IR Range</b>	Up to 130ft
<b>IR LED</b>	Auto / LED on / LED off / Smart IR / Light Sensor
<b>Analog Output</b>	1.0 Vp-p / 75 Ω, BNC
<b>Audio In/Out</b>	1 Audio In - Stereo phone jack, ø 3.5mm 1 Audio Out - Stereo phone jack, ø 3.5mm
<b>Alarm In/Out</b>	1 Alarm In / 1 Alarm Out
<b>microSD Card Slot</b>	microSD / microSDHC / microSDXC up to 64GB support
<b>Camera Weight</b>	1.19lb (540g)
<b>Dimensions</b>	<b>W:</b> 5.26" x <b>H:</b> 4.18" (133.8 x 106.3mm)
<b>Housing / Dome Cover</b>	Plastic / Metal Housing
<b>Country of Origin</b>	Taiwan

## ACCESSORIES





Pendant Mount  
**OE-CA75PM**



20" Ceiling Pole Mount  
**OE-CA510P50**



Pendant Mount  
**OE-CA75PM**



10" Ceiling Pole Mount  
**OE-CA510P25**



Short Arm Pendant Mount Kit  
**OE-CA97WMS**



Long Arm Pendant Mount Kit  
**OE-CA97WML**



Short Arm Pole Mount Kit  
**OE-CA97PLMS**



Long Arm Pole Mount Kit  
**OE-CA97PLML**



Short Arm Corner Mount Kit  
**OE-CA97CMS**



Long Arm Corn Mount Kit  
**OE-CA97CML**

## DOCUMENTATION

For the manual, specifications, quick start guide, and accessory tree go to product page at the link below:

<https://www.openeye.net/products/cameras/oe-c7564-awr>