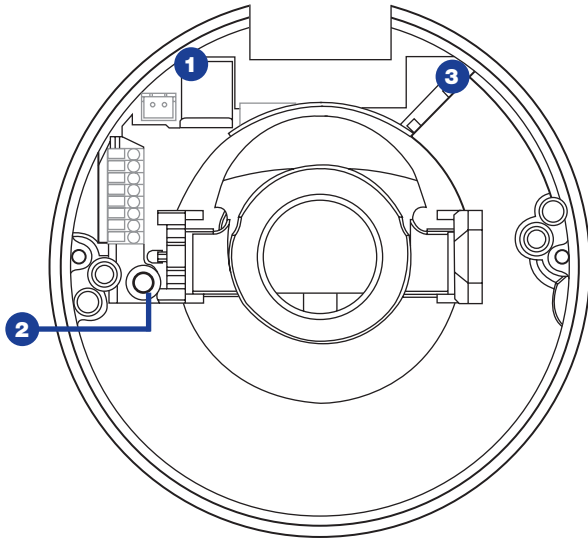
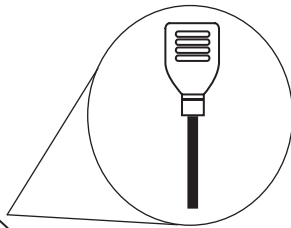


## CONNECTIONS

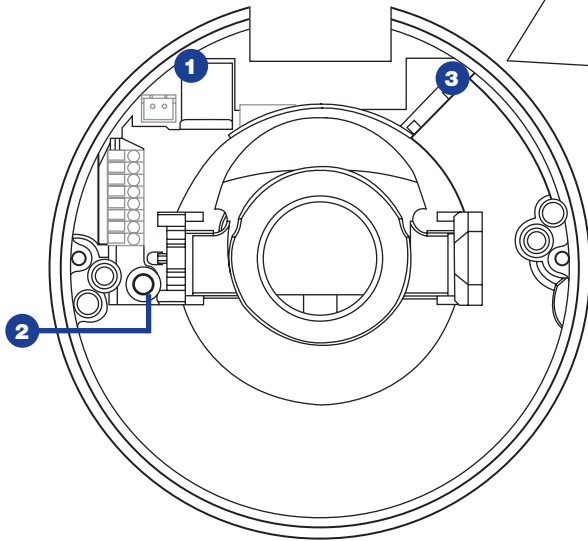
OE-C6413-AWR



microSD Card Slot	1	Insert the microSD card into the card slot to store video and snapshots
Reset Button	2	To restore the camera to factory defaults: 1. Disconnect power for 30 seconds. 2. Reconnect power and wait 30 seconds. 3. Press and hold the reset button 20 seconds.
RJ-45	3	For network and PoE connections



OE-C7413-AWR



microSD Card Slot	1	Insert the microSD card into the card slot to store video and snapshots
Reset Button	2	To restore the camera to factory defaults: 1. Disconnect power for 30 seconds. 2. Reconnect power and wait 30 seconds. 3. Press and hold the reset button 20 seconds.
RJ-45 Dongle	3	For network and PoE connections

**OpenEye**<sup>®</sup>

The Cloud Video Platform

Liberty Lake, WA, USA  
509.232.5261

openeye.net

Copyright ©2020 OpenEye.  
All Rights Reserved. Information contained in this document is subject to change without prior notice. OpenEye does its best to provide accurate information but cannot be held responsible for typos or mistakes.

**OpenEye**<sup>®</sup>

## QUICK START GUIDE

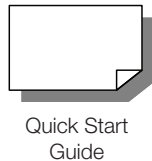
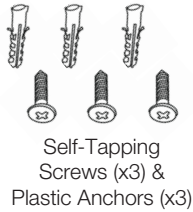
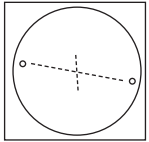
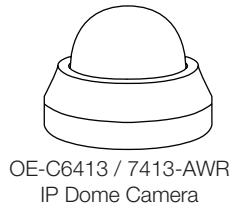
OE-C6413-AWR / 3MP Indoor IP Dome Camera  
OE-C7413-AWR / 3MP Outdoor IP Dome Camera

This quick start guide provides only basic information on the camera's settings and operation for initial installation. Please read the user manual for optimal camera configurations.

35024AG

openeye.net

## CONTENTS



## INSTALLATION

1. Apply template sticker to desired camera location.
2. Drill anchor holes using included mounting template.
3. Remove mounting template.
4. Insert anchors.
5. Mount camera.
6. Connect network cable with included waterproof cable connector.
7. Adjust camera view.
8. Secure Lid / dome

**NOTE:** If the camera will be exposed to inclement weather, OpenEye recommends sealing around the camera base, or connection to mounting surface with outdoor waterproof caulking.

**CAUTION:** Risk of explosion of battery is replaced by an incorrect type. Dispose of used batteries according to the instructions.

The unit and all interconnected equipment must be installed indoors within the same building, including all PoE-powered network connections as described by Environment A of the IEEE 802.3af standard.

## DEFAULT USERNAME AND PASSWORD

**NOTE:** OpenEye IP cameras ship without a default password.

The admin user password can be set using the following methods:

1. OpenEye recorders running Apex 2.1 or newer will automatically set a new unique password if:
  - Connected to an M-Series recorder with a built in PoE switch.
  - Connected to a network switch through the camera network port and selected then added in setup, if a new password has not already been set.
2. Connect to the camera directly through a Web Browser and follow the onscreen prompts.
3. Use the Network Camera Manager (NCM) Utility.  
Username: **admin**

**NOTE:** The NCM software manual can be found at <https://www.openeye.net/ncm-manual>



**NOTE:** Refer to your Apex recorder manual or quick start guide for instruction on adding cameras. Passwords must be 8-16 characters, contain at least 1 lowercase letter, number, and 1 unique character.

## ASSIGNING AN IP ADDRESS

OpenEye IP cameras are set to DHCP by default. If a DHCP server is not detected after 4 minutes, the camera will default to IP address 192.168.51.2. If you are not using a DHCP server, NCM will allow you to batch configure a static IP address.

The IP address for the camera network on your Apex recorder is 192.168.51.1.



**NOTE:** To change this IP address please refer to your Apex recorder manual.

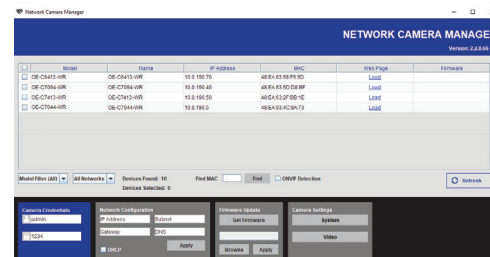
Selecting multiple cameras and entering IP address 192.168.51.2 will set an IP address on all selected cameras, starting at 192.168.51.2 and increase per camera.

1. Open Network Camera Manager.
2. Select applicable camera(s).
3. Input starting IP address, Subnet Mask, Gateway, DNS.



**NOTE:** NCM requires entry in all fields.

4. Apply changes.
5. Wait 60 seconds before refreshing NCM.



## CONNECTING TO THE IP CAMERA

To access the camera setup menu, you need to open Network Camera Manager (NCM) utility. NCM is pre-installed on all OpenEye Recorders, and is also available for download on the OpenEye website for installation on your personal computer or laptop.

1. Open Network Camera Manager.
2. Locate your camera on the Network Camera Manager list.
3. To open the web browser, select the camera and click LOAD.

## PRODUCT FEATURES

Camera	
Maximum Resolution	2560x1440 (3MP)
Frame Rate at Maximum Resolution	15FPS @ H.264
Total Streams	Up to 4 simultaneous Streams
ONVIF	Profile S / G Compliant
Day/Night	True Day / Night
Wide Dynamic Range	Shutter WDR on / off
Environmental and Power	
IP Rating	IP66 (OE-C7413-AWR only)
Power Consumption	5W
Input Voltage	PoE
Operating Temperature	-4°~122°F (-20°~50°C)



**NOTE:** Environmental factors can cause condensation on the camera dome, obscuring the view. For the OE-C7413-AWR, it is recommended that you put the desiccant packet inside the dome to prevent condensation.