

OE-C7413-AWR 3MP COMPACT MINI-DOME IP CAMERA

General Information:

Product Manager: Jacob Bird

Engineering Release Date: November 1st, 2016

Launch Date: November 21st, 2016

INTRODUCTION

The OpenEye OE-C7413-AWR is a compact outdoor mini-dome with big camera features and is perfect for users who require an unobtrusive camera but do not wish to sacrifice functionality for a smaller footprint. A crystal-clear image and ease of installation are guaranteed, thanks to the OE-C7413-AWR's 3MP 2.8~8mm motorized, autofocus lens. The OE-C7413-AWR also comes standard with True WDR, adaptive IR technology, and a 3-axis gimbal for either wall or ceiling positioning. This, paired with an IP66 rating, protects the camera from the elements. The OE-C7413-AWR is available with an array of mounting accessories for any application.



Value Proposition

The OpenEye OE-C7413-AWR is OpenEye's most compact and cost effective outdoor camera model with auto-focus. It allows channel partners to be even more competitive in quoting OpenEye cameras into bids while still offering the labor savings and other benefits OpenEye promotes as part of using autofocus camera technology.

Customer Need, Feature Function, Value vs. Alternative

Customer need	Feature / Function	Value vs. next best alternative
<p>More image detail: End-Users want to see more detail in high contrast scenes with areas that are very bright and others areas that are in shadow (outdoors scenes with heavy shadowing)</p>	<p>True WDR: Takes high contrast scenes and averages the highs and lows to produce an image that does not have oversaturated white areas or under saturated black areas where no detail is visible.</p>	<p>Value: True WDR in a powerful low cost autofocus camera Next best alternative: Digital WDR which is not capable of adjusting for as much contrast in a scene so cannot produce as much detail in a scene</p>
<p>More image detail: End-Users want a crystal clear high resolution image from their IP cameras for as much detail as possible</p>	<p>Autofocus: Uses machine focus technology to produce the clearest focus possible. Can also be refocused with the push of a button if needed.</p>	<p>Value: Clearest image possible. Next best alternative: A standard non AF lens which best case is factory focused and does not need focus but cannot change field of view or a varifocal lens which requires physically manipulating the lens by hand.</p>
<p>Labor Savings: Channel Partners want to save labor costs and reduce truck rolls which are very costly to their bottom line.</p>	<p>Autofocus: Saves labor by reducing the time to focus a camera and eliminating the need to be physically at the camera. This means less install time per camera and the ability to correct poor focus remotely without having to roll a truck. The field of view can also be adjusted by controlling the zoom remotely on the camera.</p>	<p>Value: Reduced install labor and truck rolls Next best alternative: A standard non AF lens which best case is factory focused and does not need focus but cannot change field of view or a varifocal lens which requires physically manipulating the lens and rolled trucks to adjust focus.</p>
<p>Clear video in low light: End-Users want clear video in scenes with no or low light regardless of a subject's location in the scene (close or far)</p>	<p>Adaptive IR: Illuminates a scene using invisible infrared light even when no or low visible light is present. The adaptive part of the technology adjusts the IR output so if an object is closer to the camera it does not get over illuminated and washed out, looks bright white, with no detail visible.</p>	<p>Value: Provides a clear image in low light situations without IR wash out. Next best alternative: Standard IR which without proper tuning can wash out the center of the image. This can result in an unusable image.</p>

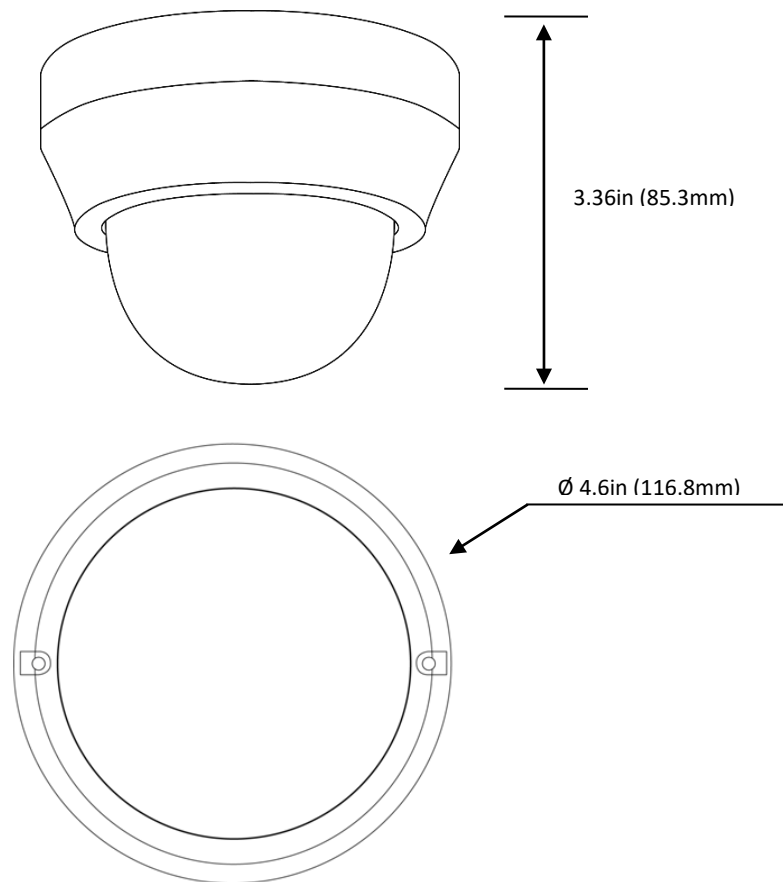
Comparison Chart

The OE-C7413-AWR is compared here to the OE-C7412-R and the OE-C7624-AWR. The OE-C7412-FR is the prior generation camera model being replaced by the OE-C7413-AWR, the benefit of autofocus and WDR in the new model, at an equivalent price point, is a clear improvement. The OE-7624-AWR is a current generation camera which falls above the OE-C7413-AWR respectively in pricing and performance.

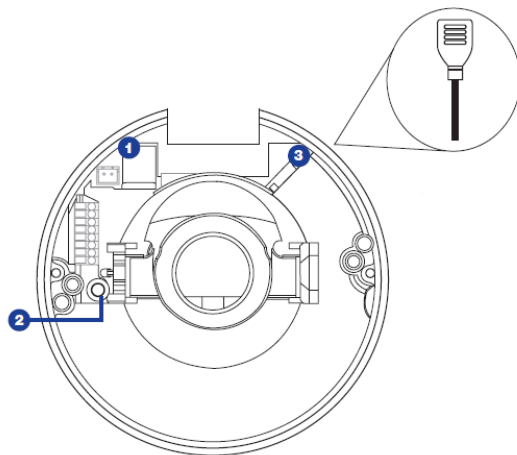
Model	OE-C7413-AWR	OE-C7412-FR (EOL)	OE-C7624-AWR
Resolution	3MP (2MP in WDR Mode)	2MP	4MP (3.6MP in WDR Mode)
True WDR	Yes	No (DWDR only)	Yes
Lens	Autofocus: 2.8~8mm	2.8mm	Autofocus: 3~9mm
Input Voltage	PoE Only (Class 3)	PoE Only (Class 3)	12vDC/24vDC/PoE (Class 3)
IP66	Yes	Yes	Yes
IR Range	25m	15m	40M
Heater	No	No	Yes
Dimensions	(W x H): 4.6" x 3.36" (117mm x 83.5 mm)	(W x H): 4.625" x 3.125" (117 mm x 79.4 mm)	(W x H): 4.6" x 4.2" (117 mm x 106.3 mm)

LINE DRAWINGS

OE-C7413-AWR



OE-C7413-AWR Connections



Pin	Connection	Definition
1	microSD card slot	Insert the microSD card into the card slot to store videos and snapshots
2	Reset Button	Press the reset button with a proper tool for at least 20 seconds to return the camera to factory defaults
3	RJ-45 Dongle	For network and PoE connections

SPECIFICATIONS

Model	OE-C7413-AWR
Maximum Resolution	3MP
Image Sensor	1/3" Progressive CMOS
Video Compression	H.264 / MJPEG
Frame Rate	30FPS @ 3MP H.264
ONVIF	Profile S compliant
Streaming	Up to 4 simultaneous streams
Browse Support	Internet Explorer (6.0+) / Chrome / Firefox / Safari
Day / Night	True Day / Night
Wide Dynamic Range	Shutter WDR On / Off @ 2MP
Lens	2.8-8mm autofocus lens
Horizontal Field of View	99° (Wide), 51° (Tele)
White Balance	Auto, Manual, ATW, One Push
Auto White Balance Range	2700~7800K
Backlight Compensation	2500~10000K
Auto Gain Control	Yes
Power Consumption	5W
Input Voltage	PoE
PoE Class	3
IP66 Rating	Yes
IR Range	Up to 80ft (25m)
IR LED	Auto / LED On / LED Off / Smart IR / Light Sensor/Day/Night
microSD Card Slot	microSD / SDXC 64GB Support
Weight	1.13lbs (512g)
Dimensions	Ø 4.6 x 3.36in (Ø 117 x 83.5mm)
Housing / Dome Cover	Plastic / metal housing
Tilt / Rotation	Tilt :80° / Pan: 355° / Rotation: -100~100°

The information contained in this document may be privileged, confidential and protected from disclosure. This information is subject to change without prior notice. OpenEye does its best to provide accurate information but cannot be held responsible for typos or mistakes.

DOCUMENTATION

Specifications Sheet:

http://files.openeye.net/documents/cameras/35145AD_OE-C6413-AWR_OE-C7413-AWR_spec_sheet.pdf

Hardware Manual:

http://files.openeye.net/documents/cameras/35042AD_OE-C6413-AWR_OE-C7413-AWR_manual.pdf

Quick Start Guide:

http://files.openeye.net/documents/cameras/35024AC_OE-C6413_7413-AWR_QSG.pdf

ADDITIONAL MATERIALS

OE-C7413-AWR Camera Accessories Matrix

For a full and detailed list of the camera accessories compatible with this camera model, see the [OpenEye IP Camera Accessory Matrix](#).