

OE-C7084-AWR 4MP AUTOFOCUS IP DOME CAMERA **OE-C7088-AWR 4K AUTOFOCUS IP DOME CAMERA**

General Information:

Product Manager: Mike Bronson

Launch Date: January 7th, 2019

INTRODUCTION

OE-C7084-AWR and OE-C7088-AWR

The OE-C7084-AWR and the OE-C7088-AWR are new IP cameras being added to OpenEye's camera lineup. Both models are high powered indoor/outdoor IP dome cameras equipped with a 4MP or an 8MP 2.8~12mm motorized autofocus lens that provides crisp and clear images. These cameras include True WDR and True Day/Night for improved low light performance, and adaptive IR technology to prevent overexposure of objects close to the camera. Network throughput and storage requirements are reduced thanks to H.264 smart encoding technology which dynamically compresses the camera's video to reduce its bitrate. These cameras are IP67 rated and function down to -40°F making them a perfect fit for extreme weather installations. Both cameras are also IK10 rated and are vandal resistant. In addition, the cameras can be fully powered over PoE, reducing labor costs by eliminating additional cabling requirements.

All OpenEye IP cameras are ONVIF™ compliant and are compatible with the OpenEye Web Services platform, allowing users to perform remote setup using a web browser and multiple users to view high quality images simultaneously.



OE-C7084-AWR and OE-C7088-AWR

SUMMARY

- 4K (8MP) and 4MP domes available
- True WDR and Day/Night functionality
- 2.8~12mm 4X Optical Zoom Motorized Autofocus Lens
- IP67 rated for outdoor installation
- IK10 rated for vandal resistant protection
- Adaptive IR prevents image wash out
- H.264 with smart compression technology

VALUE PROPOSITION

OpenEye is releasing two new high-powered dome cameras: an indoor/outdoor 4MP autofocus dome and an indoor/outdoor 4K (8MP) autofocus dome. The OE-C7088-AWR is the first 4K dome offered by OpenEye. These models provide improved image quality, lower video transmission bitrates, and longer focal range; all at an affordable price point.

CUSTOMER NEED, FEATURE FUNCTION, VALUE VS. ALTERNATIVE

Customer need	Feature / Function	Value vs. next best alternative
<p>Greater image detail: End-users want to see more detail in high contrast scenes with areas that are very bright and others areas that are in shadow (outdoor scenes with heavy shadowing)</p>	<p>Improved WDR: Takes high contrast scenes and average the highs and lows to produce an image where greater detail is visible.</p> <p>4K resolution: Increased resolution gives end users greater image quality and the ability to see more without a significant price increase.</p>	<p>Value: True WDR in a powerful low-cost camera with up to 4K resolution</p> <p>Next best alternative: Digital WDR which is not capable of adjusting for as much contrast in a scene. Lower resolutions that cannot produce as much detail.</p>
<p>Clear video in low light: End-Users want clear video in scenes with no or low light regardless of a subject's location in the scene (close or far).</p>	<p>Adaptive IR: Illuminates a scene using invisible infrared light even when no or low visible light is present. The adaptive part of the technology adjusts the IR output so if an object is closer to the camera it does not get over illuminated and washed out, or look bright white, with no detail visible.</p>	<p>Value: Provides a clear image in low light situations without IR wash out.</p> <p>Next best alternative: Standard IR (without proper tuning) can wash out the center of the image. This can result in an unusable image.</p>
<p>Cost effective pricing / high value: Channel partners want cost effective high-quality product to sell against competitors' low-cost camera offerings.</p>	<p>Cost effective pricing with a full feature set: Cost effective price point in a small form factor feature rich package that includes Adaptive IR, True WDR, IP67/IK10, BNC spot out, Alarm and Audio I/O, and Smart Compression.</p>	<p>Value: A cost effective price point in a feature rich package allows channel partners to compete with the low-cost cameras flooding the market and win more bids.</p> <p>Next best alternative: Mass market IP cameras identical to those being sold by their competition and online vendors.</p>
<p>Improved mobile performance: End-users want better performance when viewing video remotely, even in environments with poor network performance.</p>	<p>H.264 with smart compression technology: Reduces the bitrate of video data transmitted from the camera.</p>	<p>Value: Smaller camera bitrates reduce network loads which can improve remote viewing performance in bandwidth restricted environments.</p> <p>Next best alternative: A camera with standard compression and weaker remote performance.</p>

The information contained in this document may be privileged, confidential and protected from disclosure. This information is subject to change without prior notice. OpenEye does its best to provide accurate information but cannot be held responsible for typos or mistakes.

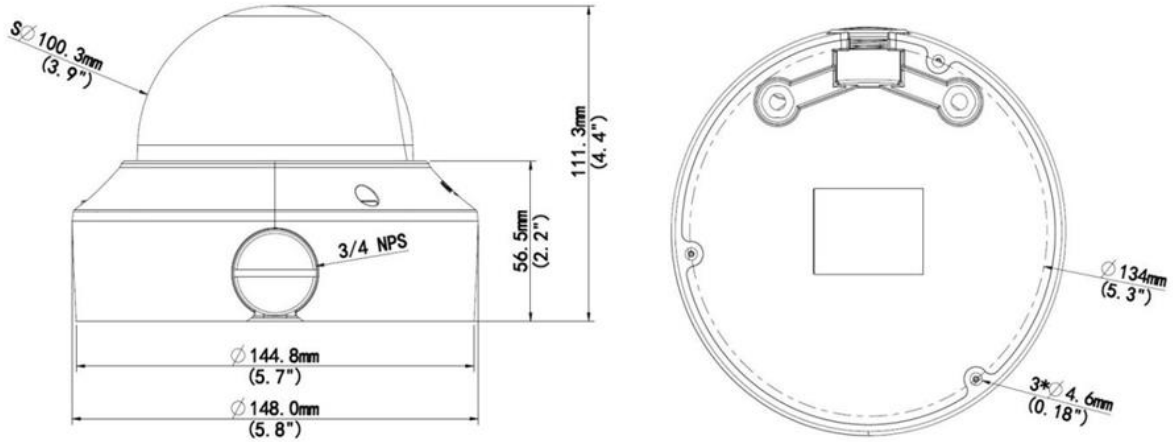
<p>Lower cost solutions: End-users and Channel Partners want lower cost recording solutions.</p>	<p>H.264 with smart compression technology: Reduces the bitrate of video data transmitted from the camera.</p>	<p>Value: Reduced video storage requirements which can lower storage costs or increase storage retention time, both of which can help win more business. Lower bandwidth requirements can also save on network infrastructure costs.</p> <p>Next best alternative: A camera with standard compression which consumes more storage space and increases system costs.</p>
---	---	---

COMPARISON CHART

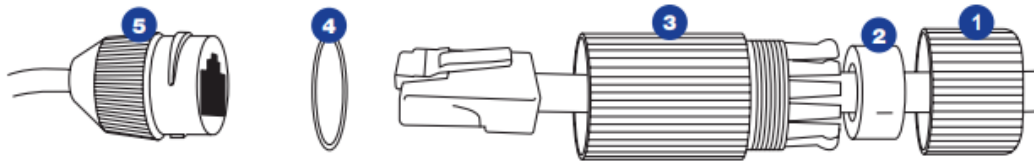
Below is the comparison of the OE-C7084-AWR, OE-C7088-AWR, OE-C7094-AWR, OE-C7098-AWR, and the OE-C7564-AWR. All are current generation cameras.

Model	OE-7084-AWR	OE-C7088-AWR	OE-7094-AWR	OE-C7098-AWR	OE-C7564-AWR
Resolution	4MP	8MP	4MP	8MP	4MP
Housing	Dome	Dome	Bullet	Bullet	Dome
Smart Compression	Yes	Yes	Yes	Yes	Yes
True WDR	Yes	Yes	Yes	Yes	Yes
Lens	2.8mm ~ 12mm, 4X Optical Zoom	2.8mm ~ 12mm, 4X Optical Zoom	2.8mm ~ 12mm, 4X Optical Zoom	2.8mm ~ 12mm, 4X Optical Zoom	3mm ~ 9mm, 3X Optical Zoom
Autofocus	Yes, Motorized	Yes, Motorized	Yes, Motorized	Yes, Motorized	Yes, Motorized
IP Rating	IP67	IP67	IP67	IP67	IP66
Max IR Range	30M	30M	40M	40M	40M
Heater	Yes (Passive)	Yes (Passive)	Yes (Passive)	Yes (Passive)	Yes (Mechanical)
Temperature Range	-40°F ~ 140°F	-40°F ~ 140°F	-31°F ~ 140°F	-31°F ~ 140°F	w/heater: -58 ~ 122 °F
Input Voltage	PoE / 12vDC	PoE / 12vDC	PoE / 12vDC	PoE / 12vDC	PoE / 12vDC / 24vAC
Power Consumption (Over PoE)	7.2W	8.5W	9W	9W	13W
BNC Out	Yes	Yes	Yes	Yes	Yes
Dimensions	5.8" x 4.4"	5.8" x 4.4"	9.6" x 3.8" x 2.9"	9.6" x 3.8" x 2.9"	5.2" x 4.6"

LINE DRAWINGS

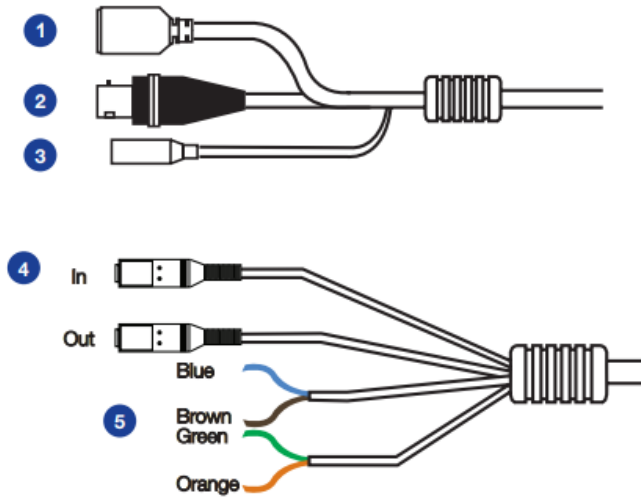


Waterproof Cable

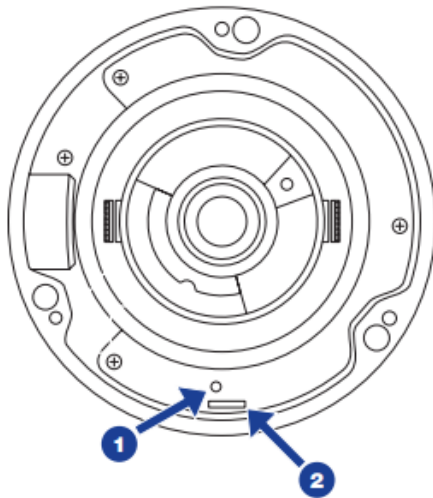


1	Thread lock cap	4	Rubber "O" ring
2	Rubber plug	5	Camera cable
3	RJ45 enclosure		

CONNECTIONS



1	RJ-45	For network and PoE connections	
2	BNC	For analog video input	
3	Power (12vDC)	Power connection	
4*	Audio In/Out	Audio Out is reserved	
5*	Alarm I/O	Blue	Ground
		Brown	Alarm Input
		Green	Alarm Out -
		Orange	Alarm Out +



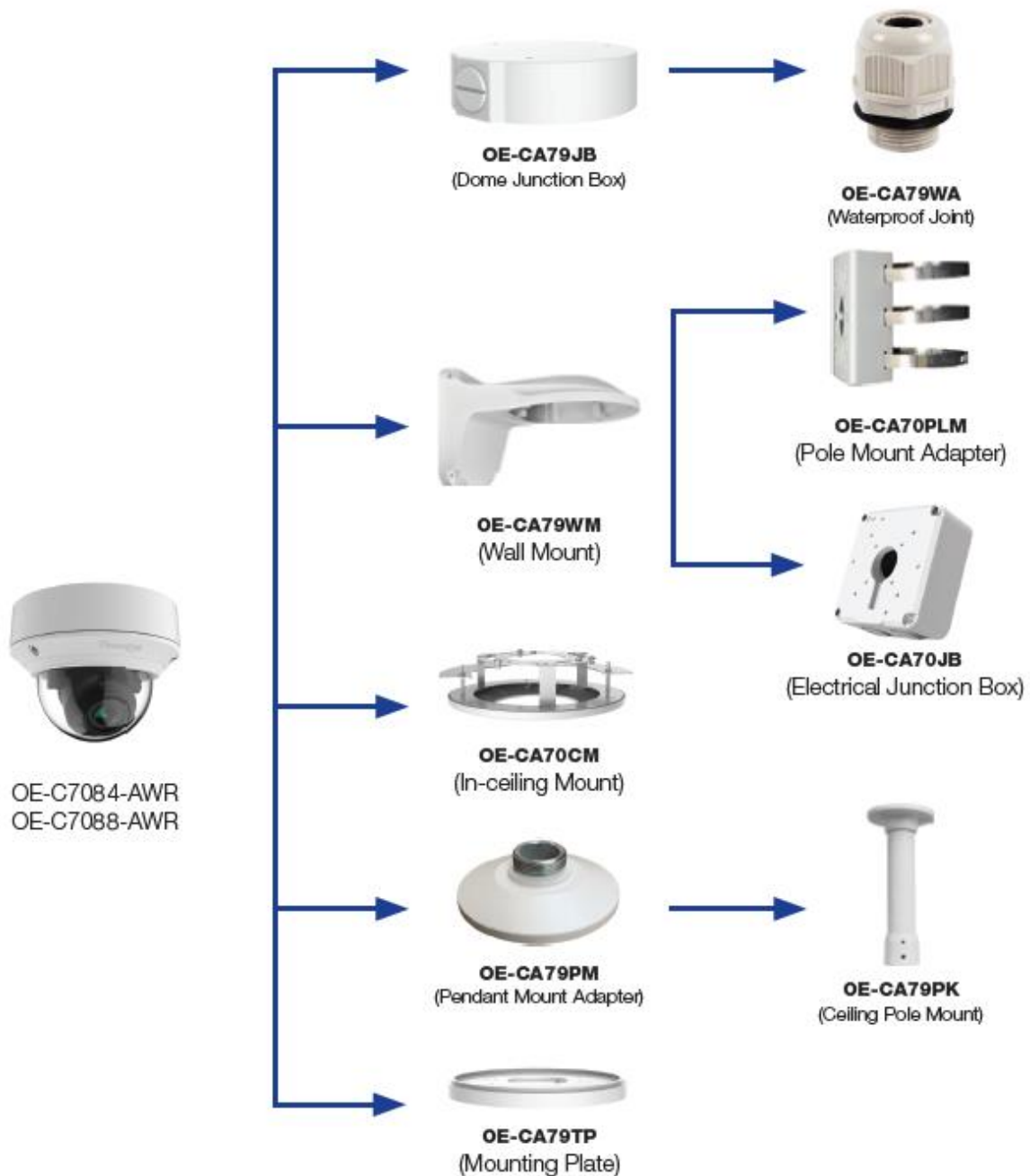
1	Reset Button	For defaulting camera to factory settings
2	SD Card	SD card for edge storage (128GB)

SPECIFICATIONS

CAMERA		
Part Number	OE-C7084-AWR	OE-C7088-AWR
Maximum Resolution	4MP	8MP
Lens	2.8~12mm Motorized autofocus lens	
Image Sensor	1/2" Progressive Scan CMOS	
Video Compression	H.264 Enhanced, MJPEG	
Frame Rate	25 FPS @ 4MP	15 FPS @ 8MP
ONVIF	Profile S compliant	
Streaming	Triple streams (Primary/Secondary/Third)	
Browser Support	Internet Explorer / Chrome / Firefox / Safari	
Day / Night	True Day/Night	
Wide Dynamic Range	True Wide Dynamic Range	
Field of View	27° (tele)~91° (wide)	47.3° (tele)~114.8° (wide)
Minimum Illumination @ 30IRE	Color: .05 lux / IR: 0 lux	Color: .03 lux / IR: 0 lux
White Balance	Auto / Manual	
Auto White Balance Range	2700k ~ 8000K	
Backlight Compensation	Yes	
Auto Gain Control	Yes	
ENIRONMENTAL		
IP Rating	IP67	
Vandal Resistant	IK10	
Operating Temperature	-40 ~ 140° F (-40 ~ 60° C)	
UL Listed Product	Yes	
POWER		
Power Consumption	Max 7.2	Max 8.5W
Input Voltage	PoE / 12vDC	
PHYSICAL		
IR Range	Up to 30M (98ft)	
IR LED	Auto / LED on / LED off / Smart IR / Light Sensor	
Analog Video Out	1.0 Vp-p / 75 Ω, BNC	
Audio In	1 Channel	
Alarm In/Out	4 Line Connection	
microSD Card Slot	128GB	
Camera Weight	1.7lb (0.75kg)	2.0lb (0.92kg)
Dimensions	5.8" x 4.4" (148mm x 111.3mm)	
Housing	Plastic Housing	

The information contained in this document may be privileged, confidential and protected from disclosure. This information is subject to change without prior notice. OpenEye does its best to provide accurate information but cannot be held responsible for typos or mistakes.

ACCESSORIES



DOCUMENTATION

For the manual, specifications, quick start guide, and accessory tree please see the OE-C7088-AWR and OE-C7084-AWR product pages at the links below:

Product Page

<https://www.openeye.net/products/cameras/oe-c7084-awr>

<https://www.openeye.net/products/cameras/oe-c7088-awr>

Spec Sheet

<https://www.openeye.net/documents/oe-c7084-awr-and-oe-c7088-awr-spec-sheet>

Quick Start Guide

<https://www.openeye.net/documents/oe-c7084-awr-and-oe-c7088-awr-quick-start-guide>