

4MP IP DOME CAMERA

OE-C6614-AWR



The OE-C6614-AWR is a high power indoor IP dome camera, and is perfect for users that need a feature rich camera with superior image quality. Equipped with a 4MP 3 ~ 9mm motorized, autofocus lens and P-iris, the OE-C6614-AWR allows you to control both zoom and focus remotely. The OE-C6614-AWR features True WDR and True Day/Night operation for improved low light performance, and employs adaptive IR technology to prevent overexposure of objects close to the camera. The Smart Compression option reduces storage requirements by up to 70% while maintaining high resolution video allowing you to meet video retention and resolution requirements for less. The OE-C6614-AWR is available with an array of mounting accessories for any application.

All OpenEye IP cameras are fully ONVIF™ compliant and are compatible with the OpenEye Web Services platform, allowing multiple users to view high quality images and perform remote setup using a Web browser.

FEATURES

- 4MP maximum resolution
- True Wide Dynamic Range
- 3-9mm motorized autofocus lens
- True Day / Night
- Adaptive IR LEDs
- ONVIF Profile S / G compliant



SPECIFICATIONS

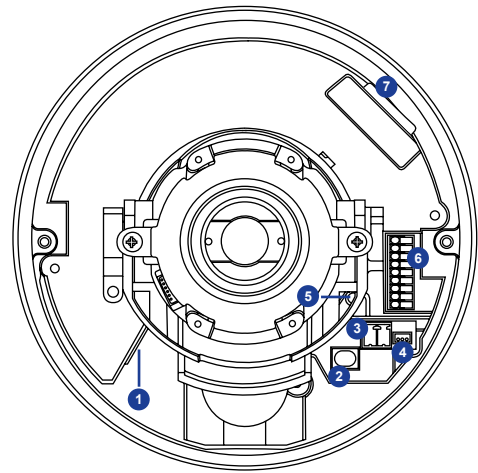
CAMERA	
Part Number	OE-C6614-AWR
Maximum Resolution	4MP
Image Sensor	OV4689
Video Compression	H.264 / MJPEG
Frame Rate	30IPS @ 4MP H.264
ONVIF	Profile S / G compliant
Streaming	Up to 3 simultaneous streams
Browser Support	Internet Explorer (6+) / Chrome / Firefox / Safari
Day / Night	True Day / Night
Wide Dynamic Range	Shutter on / off @ 3.6MP
Lens	3~9mm motorized
Field of View	109° (Wide), 33° (Tele)
White Balance	Auto / Manual / ATW / One Push
Auto White Balance Range	2700~7800K
Backlight Compensation	2500~10000K
Auto Gain Control	Yes

ENVIRONMENTAL	
Operating Temperature	-22 ~ 122 °F (-30 ~ 50 °C)

POWER	
Power Consumption	8.1W
Input Voltage	12vDC / 24vAC / PoE
PoE Class	3

PHYSICAL	
IR Range	up to 40M
IR LED	Auto / LED on / LED off / Smart IR / Light Sensor / Day / Night
Analog Output	1.0 Vp-p / 75 Ω, BNC
Audio In/Out	4-pin terminal block
Alarm In/Out	4-pin terminal block
microSD Card Slot	SDXC 64GB support
Camera Weight	1.13lb (512g)
Dimensions	ø 4.6 x 4.2in (117 x 107mm)
Housing / Dome Cover	Plastic / metal housing
Country of Origin	Taiwan

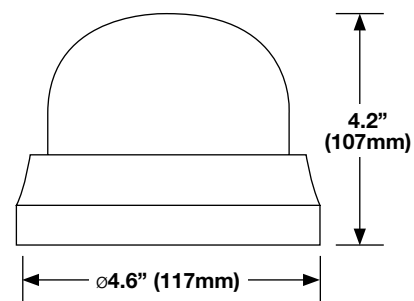
CONNECTIONS



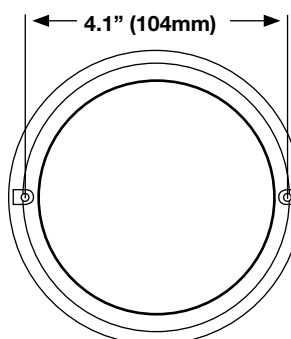
1	RJ-45	For network and PoE connections		
2	BNC	1	For analog video output	
		2		
3	Power (12VDC / 24vAC)	1	12VDC / 24vAC 1	Power connection
		2	GND / 24vAC 2	
4	RS-485	1	D+	RS-485 connection
		2	D-	
		3	GND	
5	Reset Button	Press the reset button with a proper tool for at least 20 seconds to return the camera to factory defaults		
6	Alarm & Audio I/O	1	Audio In L	Audio In
		2	Audio In R	
		3	GND	
		4	Audio Out L	Audio Out
		5	Audio Out R	
		6	Alarm Out +	Alarm connection
		7	Alarm Out -	
		8	Alarm In +	
		9	Alarm In -	
7	SD Card Slot	Insert the microSD card into the slot to store videos and snapshots		

DIMENSIONS

FRONT VIEW



BOTTOM VIEW



ACCESSORIES

