

2MP HD-TVI Outdoor Mini Dome Camera

Camera Installation & Configuration

Model no: OE-C3422-WR2/WR3



Please carefully read these instructions before using this product.
Save this document for future use.
35498AC

Regulatory Compliance

FCC COMPLIANCE

This product has been tested and found to comply with the limits for a Class A digital device pursuant to Part 15 of the FCC rules. These limits are designed to provide reasonable protection against harmful interference when the equipment is operated in a commercial environment. The product generates, uses, and can radiate radio frequency energy, and, if not installed and used in accordance with the manufacturer's instruction manual, may cause harmful interference with radio communications. Operation of this product in a residential area is likely to cause harmful interference, in which case you will be required to correct the interference at your own expense.

This device complies with Part 15 of the FCC Rules. Operation is subject to the following two conditions:

1. This device may not cause harmful interference.
2. This device must accept any interference received, including interference that may cause undesired operation.

These limits are designed to provide reasonable protection against harmful interference in a non-residential installation. However, there is no guarantee that interference will not occur in a particular installation. If this equipment does cause harmful interference with the radio or television reception, which can be determined by turning the equipment off and on, you are encouraged to try to correct the interference by one or more of the following measures:

1. Reorient or relocate the antenna of the radio/television receiver.
2. Increase the separation between this equipment and the radio/television receiver.
3. Plug the equipment into a different outlet so that the equipment and the radio/television receiver are on different power mains branch circuits.
4. Consult the dealer or an experienced radio/television technician for additional suggestions.

General Specifications

Model No.	OE-C3422-WR2/WR3
Maximum Resolution	2MP
Image Sensor	1/3" Progressive Scan CMOS
Type / Format	NTSC
Lens	2.8mm / 3.6mm
FoV	103.5° (2.8 mm), 82.6° (3.6 mm)
Iris Control	Fixed
Wide Dynamic Range	True WDR
Day/Night	True Day/Night: Auto/Color/BW (Black and White)
Minimum Illumination	Color: 0.005 Lux @ (F2.0, AGC ON) B/W: 0 Lux with IR (@ 30IRE)
White Balance	ATW/Manual
Auto White Balance Range	2200K - 15000K
Backlight Compensation	Global/WDR/BLC
Auto Gain Control	Yes
Synchronization	Internal Synchronization
IP Rating	IP67
IK Rating	IK7
Operating Temperature	-40°-140°F (-40°-60°C)
Heater	Yes
Power Consumption	Max 3.5W
Input Voltage	12vDC
IR Range	20M
Weight	0.77 lb. (350g)
Dimensions	Φ: 4.4" (111mm) x H: 3.2" (82.4mm)
Housing	Metal housing / White / Clear
Country of Origin	China

Precaution

- Do not attempt to dismantle the camera module mounted within the dome. There are no user serviceable parts in the camera module. Refer servicing to a qualified professional.
- Handle the camera with care. Do not abuse the camera. Avoid striking or shaking it. Improper handling and storage could damage the camera.
- Do not operate the camera beyond its temperature or power source rating. Refer to the environmental information provided in this document.

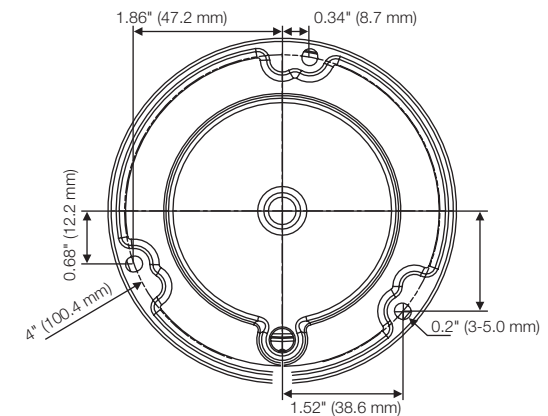
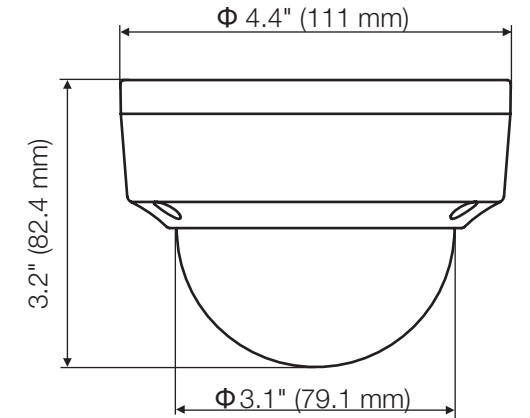
Features

- 2MP Maximum Resolution
- IP67 Outdoor Rating
- True Day / Night
- True Wide Dynamic Range
- 1/3" Progressive CMOS Image Sensor
- Adaptive IR Technology
- 3-Axis Gimbal

Box Contents

- Mounting Template (x1)
- Manual/QSG (x1)
- T10 Torx Driver (x1)
- Screws (x3)
- Wall Anchors (x3)

Dimensions

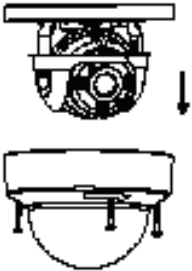


Ceiling Mounting Installation

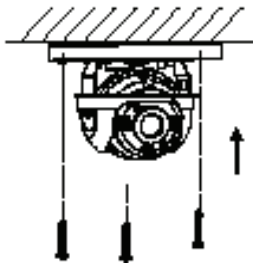
1. Paste the drill template to the ceiling.
2. Drill the screw holes and cable hole (optional) in the ceiling according to the drill template.
Note: Cable hole is required when adopting the ceiling outlet to route cables.



3. Loosen the set screws with a torx wrench (supplied) to remove the dome.



4. Fix the mounting base to the ceiling with supplied screws.

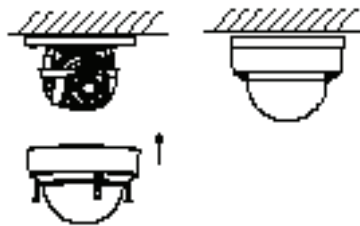


5. Route the cables through the cable hole, or through the side opening.
6. Connect the corresponding cables, such as the power cord and network cable.

7. Power on the camera to check whether the image on the monitor is taken at an optimal angle. If not, adjust the camera according to the figure below to get an optimal angle.



1. Loosen the tilt adjusting screw to adjust the tilt position [0° to 75°].
Note: Failure to loosen the tilt adjusting screw before attempting to tilt the camera can result in damage and potentially void the warranty.
 2. Hold the black liner to adjust the pan position [0° to 75°].
 3. Hold the camera body to adjust the rotation position [0° to 355°].
8. Reinstall the dome and tighten the screws.



Accessing the Camera's On-Screen Menu

This camera has an on-screen menu for adjusting camera settings. In order to operate this menu the camera must be connected to a device that supports UTC control.

1. Connect Camera to a recorder or device which supports HD-TVI and UTC.
2. Enable and navigate the on-screen menu using the devices PTZ interface or dedicated UTC function
 - a. Most HD Analog Recorders that have UTC capability utilize the PTZ control menu to access and navigate the on-screen menu
 - b. Consult the manufacturers product manual for specific instructions on UTC or PTZ control

Note: When connecting to an OpenEye M-Series recorder you must use OWS Command Station and its PTZ controls to access the cameras on-screen menu. Please see your OWS Command Station Manual for further instruction on accessing the camera's OSD menu.

For more information on setting up your HD-TVI camera please visit openeye.net/support/faqs or contact Technical support at 1-888-542-1103.

Camera OSD Main Menu

AE	BRIGHTNESS	1-10	Higher values produce brighter images	VIDEO SETTINGS	CONTRAST	1-10	Enhances difference in color and light
	EXPOSURE MODE	GLOBAL	Normal exposure mode		SHARPNESS	1-10	Determines amount of detail an imaging system can reproduce
		BLC: 0-8	Backlight compensation: improved close range clarity, poorer background clarity		COLOR GAIN	1-10	Change color saturation
		WDR	Wide Dynamic Range balances images brightness level		3D DNR	1-10	Decreases noise effects when capturing moving images in low light conditions
	AGC	HIGH	Auto Gain Control improves image clarity in poor light conditions		MIRROR	DEFAULT	Mirror function is disabled
		MIDDLE				H	Image flips 180° horizontally
		LOW				V	Image flips 180° vertically
		OFF				HV	Image flips 180° both horizontally and vertically
	SENSE UP	0-16	Increases exposure on signal frame to make camera more sensitive to light and allow production of low lux images		RETURN		
AWB	MODE	ATW	White balance adjusts automatically according to color temperature of scene illumination	FUNC	PRIVACY	4 configurable privacy areas	Designate areas you don't want recorded. Select a PRIVACY area, set DISPLAY status as ON, click up/down/left/right button to define position and size
		MWB	Set 1-255 R GAIN/B GAIN to adjust shades of red/blue color in image		MOTION	4 configurable motion areas	Designate motion detection areas. Select a MOTION area, set DISPLAY status as ON, click up/down/left/right button to define position and size, set SENSITIVITY from 0-100
		RETURN			CAMERA ID	Editable camera ID	Set Camera ID. Set MODE as ON, click up/down/left/right button to position ID
DAY & NIGHT	MODE	Color	Image is colored all the time	RESET	RETURN		Reset all settings to default
		B/W	Image is black and white all the time, and IR LED turns on in low-light conditions	SAVE & EXIT			Save settings and exit menu
		AUTO	Turn on/off Infrared and set value of Smart IR (1-8)				
		Infrared	Turn on/off IR LED to meet requirements of different circumstances				
		Smart IR	Set 1-8 to adjust light to prevent overexposure				
		RETURN					