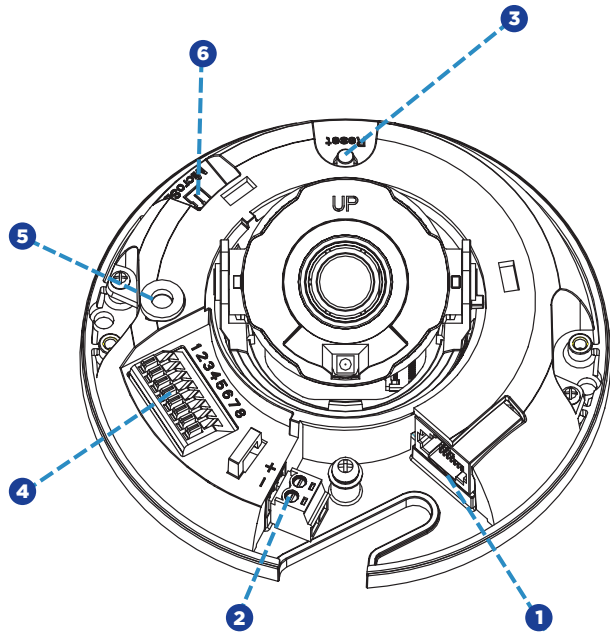


CONNECTIONS



1	RJ-45	-	For network and PoE connections	
2	Power (12VDC / 24VAC)	1	12VDC +	24VAC1
		2	GND -	24VAC2
Power Connection				
3	Reset Button	-	To restore the camera to factory defaults: 1. Disconnect power for 30 seconds. 2. Reconnect power and wait 30 seconds. 3. Press and hold the reset button for 20 seconds.	
4	Alarm & Audio I / O	1	Audio Out +	Audio connection
		2	GND	Ground connection
		3	Audio In +	Audio connection
		4	GND	Ground connection
		5	Alarm Input	Alarm connection
		6	GND	Ground connection
		7	Alarm Output	Alarm connection
		8	Alarm Output	Alarm connection
5	Built-in Microphone	-	Audio In	
6	microSD Card Slot	-	Insert the microSD card into the slot to store videos and snapshots	

This quick start guide provides only basic information on the camera's settings and operation for initial installation. Please read the user manual for optimal camera configurations.

OpenEye
The Cloud Video Platform

QUICK START GUIDE

OE-C1011D4
4MP | Indoor | Micro Dome



The Cloud Video Platform

Liberty Lake, WA, USA
509.232.5261

openeye.net

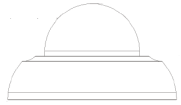
Copyright ©2021
OpenEye.

All Rights Reserved. Information contained in this document is subject to change without prior notice. OpenEye does its best to provide accurate information but cannot be held responsible for

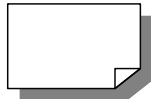
37409AD

openeye.net

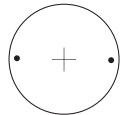
CONTENTS



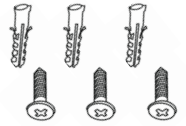
OE-C1011D4
Dome Camera



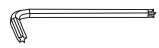
Quick Start
Guide



Mounting
Template



Self-Tapping
Screws (x3) &
Plastic Anchors (x3)



Security Torx
Tool

Optional Free Paintable Dome Cover

This camera has an available paintable dome cover allowing it to be quickly converted to a black housing or the allow custom painting to match its installation environment. To reduce waste it is not included in every package but may be requested free of charge at time of purchase.

INSTALLATION

1. Apply template sticker to desired camera location.
2. Use a 6mm drill bit to drill anchor holes as indicated on mounting template.
3. Remove mounting template.
4. Insert anchors.
5. Mount camera.
6. Connect network cable.
7. Adjust camera view.
8. Secure lid / dome.

POWER

This camera is compatible with 12vDC and Power over Ethernet (PoE). If you are connecting 12vDC power, verify the polarity of the power connection.

DEFAULT USERNAME AND PASSWORD



NOTE: OpenEye IP cameras ship without a default password.

The admin user password can be set using the following methods:

1. OpenEye recorders running Apex 2.1 or newer will automatically set a new unique password if:
 - Connected to an M-Series recorder with a built in PoE switch.
 - Connected to a network switch through the camera network port and selected then added in setup, if a new password has not already been set.
2. Connect to the camera directly through a Web Browser and follow the onscreen prompts.
3. Use the Network Camera Manager (NCM) Utility.
Username: **admin**



NOTE: The NCM software manual can be found at <https://www.openeye.net/ncm-manual>



NOTE: Refer to your Apex recorder manual or quick start guide for instruction on adding cameras. Passwords must be 9-32 characters including at least two elements of the following three: digits, letters, and special characters.

ASSIGNING AN IP ADDRESS

OpenEye IP cameras are set to DHCP by default. If a DHCP server is not detected after 2 minutes, the camera will default to IP address 192.168.51.2. If you are not using a DHCP server, NCM will allow you to batch configure a static IP address. The IP address for the camera network on your Apex recorder is 192.168.51.1.



NOTE: To change this IP address please refer to your Apex recorder manual.

Selecting multiple cameras and entering IP address 192.168.51.2 will set an IP address on all selected cameras, starting at 192.168.51.2 and increase per camera.

1. Open Network Camera Manager.
2. Select applicable camera(s).
3. Input starting IP address, Subnet Mask, Gateway, DNS.
4. Apply changes.
5. Wait 60 seconds before refreshing NCM.

CONNECTING TO THE IP CAMERA

To access the camera setup menu, you need to open Network Camera Manager (NCM) utility. NCM is pre-installed on all OpenEye Recorders, and is also available for download on the OpenEye website for installation on your personal computer or laptop.

1. Open Network Camera Manager.
2. Locate your camera on the Network Camera Manager list.
3. To open the web browser, select the camera and click LOAD.

Camera	
Maximum Resolution	2592x1520
Frame Rate at Maximum Resolution	30FPS @ H.264
Total Streams	2 simultaneous streams
ONVIF	Profile S / G Compliant
Wide Dynamic Range	True WDR @ 4MP

Environmental and Power	
Power Consumption	5.5W Max
Input Voltage	12vDC / 24vAC / PoE
Pan / Tilt / Rotate	Pan: 3° ~ 360°
	Tilt: 0° ~ 68°
	Rotate: 3° ~ 360°