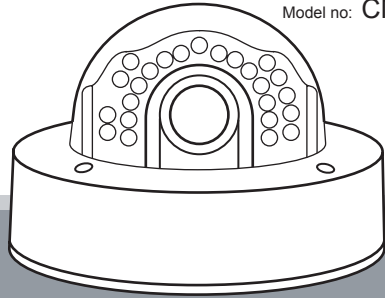


OpenEye®

960H IR

Outdoor Dome Camera

Camera Installation & Configuration



Model no: CM-P317R

Please carefully read these instructions before using this product.
Save this document for future use.
31376AC

Regulatory Compliance

Emissions	FCC part 15, subpart B, Class A CE: EN61000-6-4:2007
Immunity	CE: EN60130-4:1995 + A1:1998 + A2:2003

FCC COMPLIANCE

This product has been tested and found to comply with the limits for a Class A digital device pursuant to Part 15 of the FCC rules. These limits are designed to provide reasonable protection against harmful interference when the equipment is operated in a commercial environment. The product generates, uses, and can radiate radio frequency energy, and, if not installed and used in accordance with the manufacturer's instruction manual, may cause harmful interference with radio communications. Operation of this product in a residential area is likely to cause harmful interference, in which case you will be required to correct the interference at your own expense.

This device complies with Part 15 of the FCC Rules. Operation is subject to the following two conditions:

1. This device may not cause harmful interference.
2. This device must accept any interference received, including interference that may cause undesired operation.

These limits are designed to provide reasonable protection against harmful interference in a non-residential installation. However, there is no guarantee that interference will not occur in a particular installation. If this equipment does cause harmful interference with the radio or television reception, which can be determined by turning the equipment off and on, you are encouraged to try to correct the interference by one or more of the following measures:

1. Reorient or relocate the antenna of the radio/television receiver.
2. Increase the separation between this equipment and the radio/television receiver.
3. Plug the equipment into a different outlet so that the equipment and the radio/television receiver are on different power mains branch circuits.
4. Consult the dealer or an experienced radio/television technician for additional suggestions.

General Specifications

Model No.	CM-P317R (Rev B)
Image Sensor	1/3" Sony CCD
IP Rating	IP67 (Outdoor)
Type / Format	NTSC
Wide Dynamic Range	Sony True WDR
Minimum Illumination	Color: 0.15 Lux B/W: 0.05 Lux (@ 40IRE)
Day / Night	True Day / Night (IR Cut Filter)
Resolution	700TVL
Service Monitor Jack	Yes
S/N Ratio	>52dB (AGC Off)
Focal Length	2.8 ~ 12 mm
Iris Control	Auto-Iris
Synchronization	Internal / Line Lock
Video Output	1.0 Vpp 75Ω BNC Unbalanced
White Balance	AWB, ATW, Manual
Auto White Balance Range	1800K ~ 10500K
Backlight Compensation	HLC, BLC, Off
Auto Gain Control	Yes, 6~44dB
Operating Temperature	-49° ~ 122°F (-45° ~ 50°C)
Heater	Yes
Power Consumption	7.2W (IR LED Engaged)
Input Voltage	12vDC / 24vAC
Weight	1.8 lbs (0.82kg)
Dimensions	Ø: 5.925" (150.5mm) x H: 5.13" (130.5mm)
Housing / Dome Cover	White / Clear

Precaution

- Do not attempt to dismantle the camera module mounted within the dome. There are no user serviceable parts in the camera module. Refer servicing to a qualified professional.
- Handle the camera with care. Do not abuse the camera. Avoid striking or shaking it. Improper handling and storage could damage the camera.
- Do not operate the camera beyond its temperature or power source rating. Refer to the environmental information provided in this document.

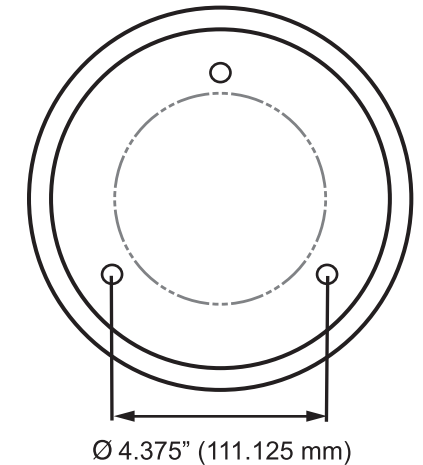
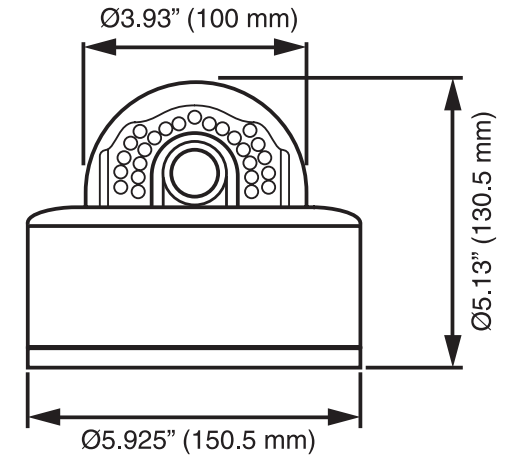
Features

- 700TVL Resolution
- Digital Noise Reduction
- 3-axis camera
- IP67-rated
- Wide Dynamic Range
- True Day/Night
- 24IR LEDs

Box Contents

- Screws (x3)
- Washers (x3)
- Torx security tool
- Service monitor cable

Dimensions



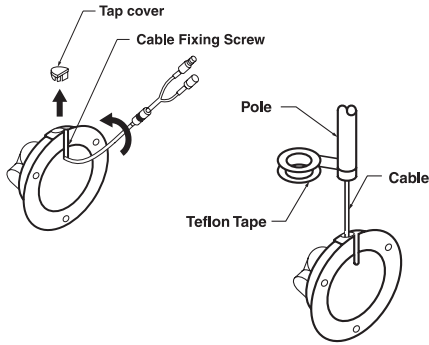
OpenEye®

23221 E Knox Ave
Liberty Lake, WA 99019
1.888.542.1103
www.openeye.net

Installation

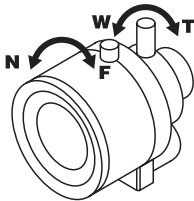
Using a Pole Mount

1. Remove the screw on the bottom of the camera housing.
2. Open the dome cover.
3. Remove the tap cover and insert cables.
4. Apply teflon tape to the threaded portion of the pole mount. (Use of teflon tape is necessary for water resistance in outdoor applications).
5. Screw the pole mount into the base of the camera.



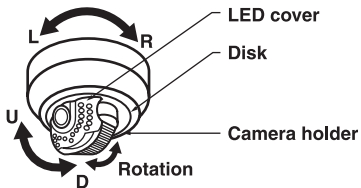
Camera Installation

1. Use the supplied screws to mount the camera on a wall or ceiling.
2. If your camera uses a varifocal lens, adjust the lens by opening the LED cover. Turn the Tele-Wide knob to adjust the field of view. Turn the Near-Far knob to set the focus.
3. Once the camera is mounted to the desired surface and is focused correctly, re-assemble the camera housing.



Adjusting the Camera Angle

1. To adjust the pan, the camera fixture left or right within a range of -160° ~ 190°.
2. To adjust the tilt, grasp the LED cover and adjust the direction up or down within a range of 6° ~ 90°.
3. To adjust the vertical orientation, rotate the camera holder within a range of -178° ~ 178°.



Camera OSD Menu

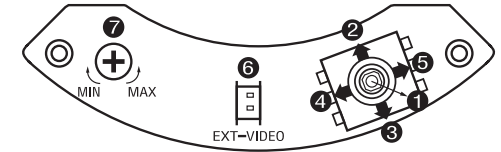
LENS	MANUAL	
SELECT	DC	
EXPOSURE	PRESETS	*Preset mode for common application to speed up installation
	CUSTOM	User setting value
	INDOOR	For indoor
	WINDOW	Maximizing WDR function
	OUT-DOOR	For outdoor
	WDR	WDR allows you to clearly view a subject that is backlit with bright light.
	LOW	
	NORMAL	
	MEDIUM	
	HIGH	
	BLC	OFF
	ON	
	AGC	CUSTOM
	LOW (24)	
	MEDIUM (30)	
	HIGH (36)	
	SENSE-UP	Enable the SENSE-UP function and select level
	OFF	
	AUTO	For use in low light situations, between 2X and 64X
	MANUAL	Select between 2X and 64X
	FLICKER-LESS	Optimized mode for flicker. If CRR is selected, AWC mode will not be available in the White Balance menu.
	OFF	
	CRR	
	CRR2	
WHITE BALANCE	ATW	Automatic White Balance
	AWC	Find optimal white balance with use of white paper in field of view.
	MANUAL	R/B Adjust red or blue levels
	KELVIN	Adjust color temp.
DAY & NIGHT	AUTO	INPUT DELAY The camera automatically detects light levels and sets mode accordingly.
	COLOR	Image is always displayed in color
	B/W	Image is always displayed in black and white

IMAGE ADJUST	GAMMA	25 ~ 45	Default: 45
	100		
	SHARPNESS	MIN ~ MAX	Default: MAX
	COLOR GAIN	-8 ~ 0 ~ 8	Default: 0
	FLIP	OFF	
	HORZ	Horizontal flip	
	VERT	Vertical flip	
	BOTH	Horizontal and vertical flip	
	ZOOM	ON	Max 4X Zoom
	OFF	Normal Image (no zoom)	
			PAN, TILT: Zoomed image can be moved horizontally and vertically
MOTION**	OFF	No motion detection	
	ON	AREA SELECT	Select up to 4 motion detection areas
		AREA 1 ~ 4	<ul style="list-style-type: none"> Adjust position and size of motion detection area Press ENTER to move the motion area setting section. Press ENTER again to change the mask color When mask is white, you can move the mask up, down, left, and right When the mask is green and red, you can adjust the mask size Press ENTER for a few seconds to escape
PRIVACY	OFF	No privacy mask function	
	ON	MASK 1-12	<ul style="list-style-type: none"> Configure up to 12 privacy masks Press SET to open privacy mask settings. Press SET again to change the mask color When mask is white, black, or red, it can be moved up, down, left, and right When mask is blue, you can adjust the size Press SET for a few seconds to escape
		MASK COLOR	Select the mask color (WHITE, RED, OR BLACK)

**MOTION and RS-485 SETUP are not supported by OpenEye

FUNCTION SETUP	RS-485 SETUP**	CAMERA #	ID setting for RS-485 communication (1 ~ 256)
	CAMERA ID SETUP	ID DISPLAY	Display the camera ID on the screen
		CAMERA ID	Change the camera ID
		ID POSITION	Select the position to display the ID on the screen
SYNC	INT	Internal sync with 12V Power	
	LL	External sync with 24V AC power	
		V-PHASE	Phase controllable at 24V AC

Function Setting



1. Push the lever to access the menu and confirm selection. Push the lever for one second to open or close the menu. Use the lever to return to the previous menu from motion detection or privacy mask setting sections.
2. Push the lever up to move the cursor up.
3. Push the lever down to move the cursor down.
4. Push the lever left to move the cursor left.
5. Push the lever right to move the cursor right.
6. Plug a test monitor into the optional EXT-VIDEO terminal to view menu screens during installation.
7. Adjust the LED light level with the screw.