

## 800-SERIES - HIGH SPEED DOME IP CAMERA

### CM-816



#### DESCRIPTION

OpenEye's CM-816 is a 2MP outdoor dome camera equipped with an integrated heater and fan. The 18X optical zoom and sunshield make it an excellent solution for outdoor PTZ surveillance. The CM-816 includes wide dynamic range and a day/night function that utilizes a moveable IR cut filter, making it perfect for challenging lighting conditions.

#### HIGHLIGHTS

- » 1080p (2MP) maximum resolution
- » 4.7 ~ 84.6mm (18x zoom) (55.2° ~ 5.2° FoV) focal length
- » IP66 (Outdoor) IP rating
- » True Day / Night (IR cut filter)
- » Digital Wide Dynamic Range
- » H.264 / MJPEG video compression
- » Sony 1/2.8" CMOS image sensor
- » ONVIF™ Profile S compliant



# 800-SERIES - 2MP OUTDOOR IP 18X PTZ DOME

## CAMERA SPECIFICATIONS

CM-816 (Rev C N4)	
Maximum Resolution	1080p (2MP)
Image Sensor	Sony 1/2.8" CMOS
Video Compression	H.264 / MJPEG
Frame Rate	30 IPS @ 1080P [1920 x 1080 / 2MP] 30 IPS @ 1280 x 1024 / 1.3MP 30 IPS @ 720P [1280 x 720 / 1MP] 30 IPS @ 1024 x 768 30 IPS @ 800 x 600 30 IPS @ 720 x 480 30 IPS @ 640 x 480 30 IPS @ 352 x 240
ONVIF	Profile S
Streaming	Up to 4 simultaneous streams
Browser Support	Internet Explorer (ActiveX) Chrome, Firefox, Safari (Quicktime)
Day / Night	True Day/Night (IR Cut Filter)
Wide Dynamic Range	Digital WDR
Lens	4.7~84.6mm (18x zoom)
Horizontal Field of View	55.2°~5.2°
Iris	F1.6~F2.8
Minimum Illumination @ 50IRE	0.1 (Color) & 0.03 (B/W) lux @ F1.6
Minimum Illumination @ 30IRE	0.05 (Color) & 0.01 (B/W) lux @ F1.6
White Balance	Auto, Manual, ATW, Presets
Auto White Balance Range	Auto: 2700K~8000K ATW: 2450K~10500K
Backlight Compression	Yes
Auto Gain Control	Yes

## PHYSICAL

CM-816 (Rev C N4)	
Audio In / Out	1 / 1
Alarm In / Out	2 / 4
microSD Card Slot	microSD / microSDHC 32GB max
Weight	5.11lb (2.32kg)
Dimensions	Ø 7.5" (191.97mm) H: 11.1" (282.11mm)
Housing / Dome Cover	White/Clear
Tilt / Rotation	-10°~190° / 360° Endless

## PTZ DETAIL

Control Type	PTZ control via network only
Zoom Factor	18x
Presets	256
Preset Accuracy	±0.225°
Preset Speed	5°~400°/second
Pattern	8
Tour (Group)	8
Auto Scan	4
Privacy Mask	16
Home Function	Preset, Pattern, Tour, Autoscan
Auto Flip	Image / Mechanical
Focus Mode	Auto / Manual

## ENVIRONMENTAL

IP Rating	IP66 (Outdoor)
Operating Temperature	-40°F~122°F (-40°C~50°C)
Heater	Yes
Heater Operational Threshold	ON: -7°C OFF: 3°C
Active / Passive Cooling	Active (Fan)

## POWER

Power Consumption	59W Max (Heater On)
Rated Amperage	2.38A
Input Voltage	24vAC / PoE+ (802.3at)
PoE Class	4 (Heater requires 24vAC)

# 800-SERIES - 2MP OUTDOOR IP 18X PTZ DOME

## OUTDOOR PTZ MODELS

**CM-816** 2MP Outdoor IP 18x PTZ Dome

## AVAILABLE ACCESSORIES

**OE-CA510WL** 500/800 13.5" Wall Mount Arm

**OE-CA510W** 500/800 7.25" Wall Mount Arm

**OE-CA510C** 500/800 Corner Bracket

**OE-CA510P25** 800 10" Pole and Ceiling Plate

**OE-CA510P50** 800 20" Pole and Ceiling Plate

**OE-CA510PML** 500/800 Pole Bracket w/Straps

**OE-CA510PA25** 500/800 1/4" Threaded Pipe Adapter

**OE-CA510PA50** 500/800 1/2" Threaded Pipe Adapter

**CA-510DT** Tinted Dome Cover

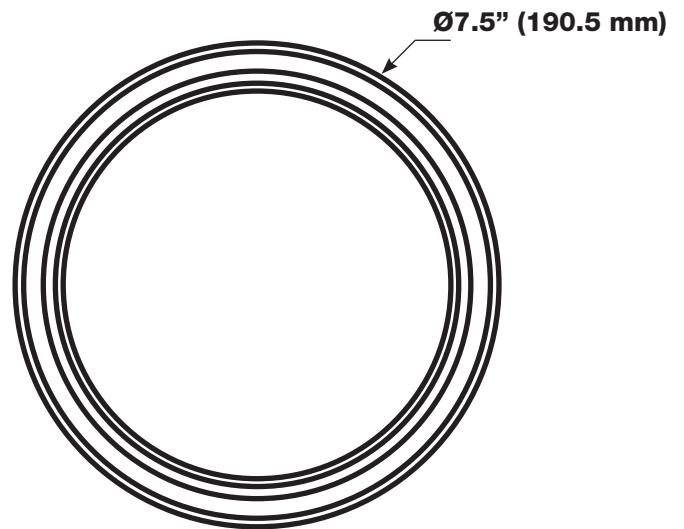
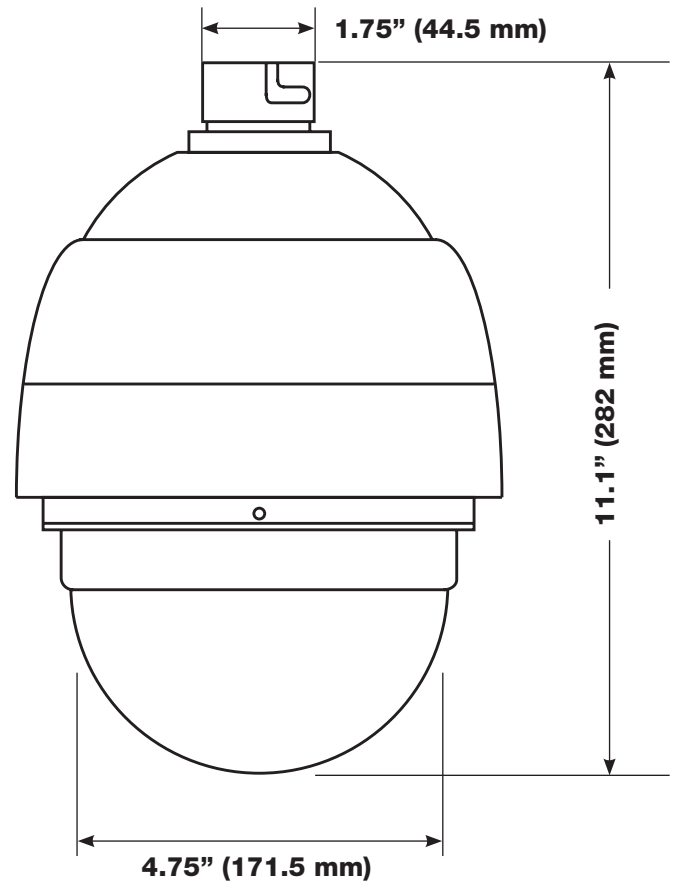
**OE-CASWPOE-24** 24 Port PoE Switch

**OE-CASWPOE-8** 8 Port PoE Switch

**CA-501J** PTZ3 Axis Joystick Controller

**CA-D4000** Camera Tester

## SYSTEM IMAGES



[www.openeye.net](http://www.openeye.net)

**OpenEye**®

23221 E Knox Ave  
Liberty Lake, WA 99019  
1.888.542.1103

30892AF

©2017 OpenEye. All Rights Reserved. Information contained in this document is subject to change without prior notice. OpenEye does its best to provide accurate information but cannot be held responsible for typos or mistakes.