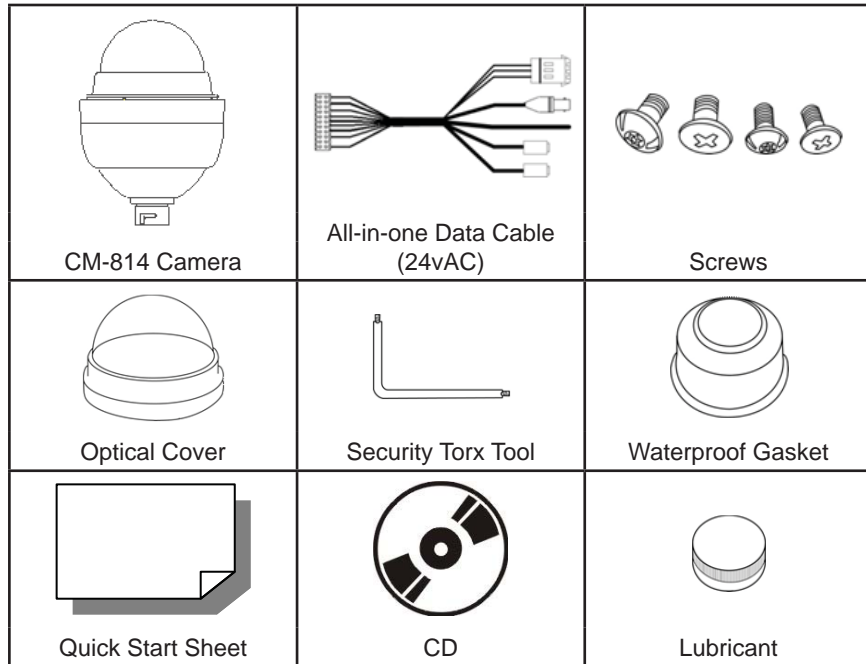
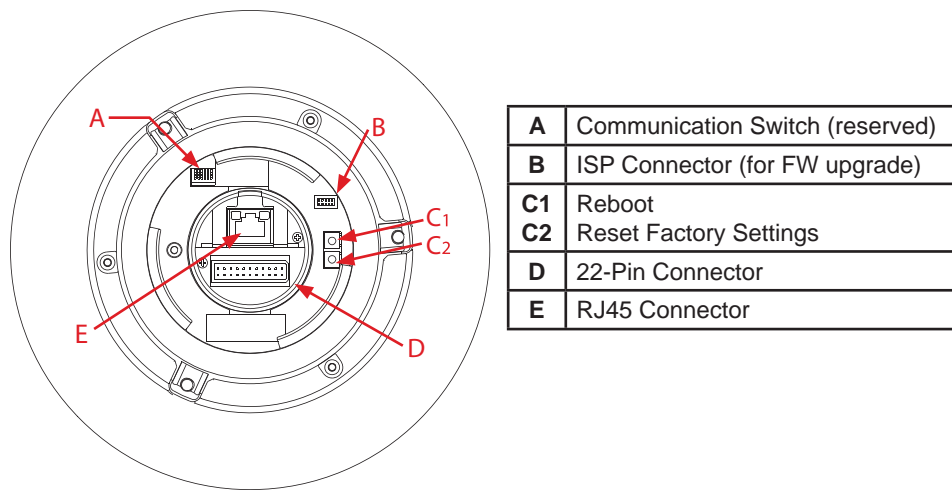


This quick operation guide is a quick reference for users to install and operate the dome camera and only provides basic information on the camera's settings and operation. Before attempting to connect, configure and operate the dome camera, please read the installation guide and the user manual thoroughly.

Box Contents

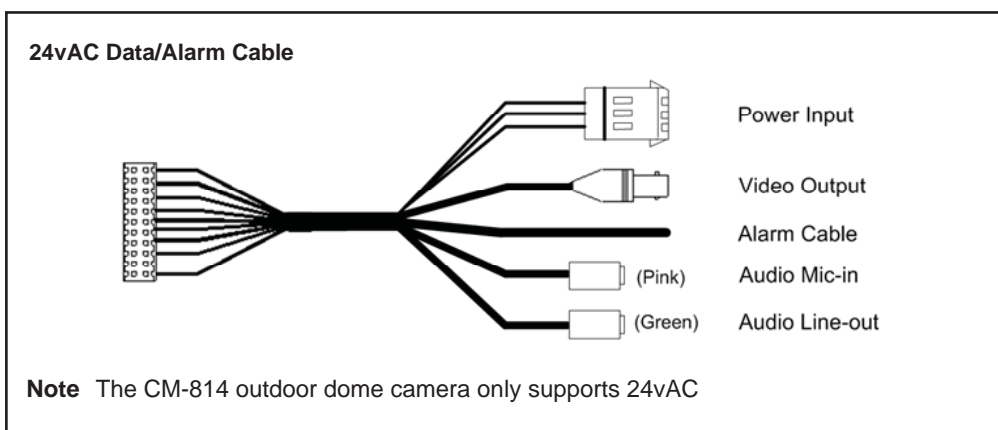


Dome Switch Definition



Data Cable and Connector Definition

The data cable supplied with the dome camera is an 24vAC. Refer to the figures below for the definition of each connector before wiring.



Grounding Recommendation

The GND (ground) wire must be directly connected to the middle pin of the 24vAC power connector. Failure to connect the ground can cause damage and failure of the camera. If the connection of the GND wire causes video noise, use a video isolator. This is only necessary in some situations.

Power Wire Length Specifications

| Wire Gauge | Maximum Distance |
|------------|------------------|
| 22 | 27 feet |
| 20 | 44 feet |
| 18 | 69 feet |
| 16 | 110 feet |

| Wire Gauge | Maximum Distance |
|------------|------------------|
| 14 | 175 feet |
| 12 | 279 feet |
| 10 | 444 feet |

22-Pin Connector Definition

When cabling, refer to the figure and table below for information about the definition of each pin on the data cable.

| Pin | Definition | Cable |
|-----|----------------|-------------|
| 1 | AC 24-1/DC (+) | 20AWG/18AWG |
| 2 | ALM NC | |
| 3 | AC 24-2/DC (-) | 20AWG/18AWG |
| 4 | ALM NO | |
| 5 | FG | 20AWG/18AWG |
| 6 | ALM COM | |
| 7 | Audio In | 24AWG |
| 8 | Audio Out | |
| 9 | Audio GND | |
| 10 | Audio GND | |
| 11 | ISOG | |
| 12 | ALM-1 | |
| 13 | ALM-3 | |

22-Pin Connection



| | | |
|----|----------|-------|
| 14 | ALM-2 | |
| 15 | ALM-4 | |
| 16 | Reserved | |
| 17 | Reserved | |
| 18 | Reserved | |
| 19 | Reserved | |
| 20 | ALM GND | |
| 21 | VGND | 20AWG |
| 22 | Video | |

Connecting to the IP Camera

To access the CM-814 setup menu, you need to install the viewer software on your PC or DVR. The viewer software will install automatically the first time you connect to the camera. If your internet browser doesn't install the viewer software, check the security settings or ActiveX controls and plug-in settings. If your internet browser asks for permission to install the ActiveX control, you must allow the ActiveX control to continue the installation.

To enable installation of ActiveX controls on Internet Explorer:

- From the **Tools** menu, click **Internet Options**.
- Click the **Security** tab and then click the **Internet** icon.
- Click **Custom Level** and ensure that all **ActiveX controls and plug-ins** are set to **Enable or Prompt**.

To add the camera to your trusted sites:

- From the **Tools** menu, click **Internet Options**.
- Click the **Security** tab and then click the **Trusted Sites** icon.
- Click **Sites**.
- Type the **IP Address** of the camera. Ensure that the **Require server verification** check box is cleared.

For additional information on adjusting the settings of your internet browser contact your system administrator or refer to FAQ #1914 at openeye.net.

Assigning an IP Address

OpenEye IP cameras come with the default IP address 192.168.0.250. To reset the IP address, use the OpenEye Camera Finder application to set a new static IP, or use DHCP.

The OpenEye Camera Finder application is included on the accompanying software CD or can be downloaded at www.openeye.net.

- Open the Camera Finder application.
- Click **Device Search**.
- On the list of connected IP devices locate the desired camera and record the MAC address.



- Right-click the camera row and select **Network Setup**.
- Select **Static IP** and type the new IP address and other network information in the appropriate boxes.
- OR -
Select the **DHCP** option on the **Network Setup** window and then click **Apply**.
- Click **OK** to acknowledge the change.
- After one minute, click **Device Search** to search for all connected IP devices.
- Locate the camera using the MAC address recorded earlier and double click the camera row.
- Type the **Username** and **Password** to access the camera.



Default Username and Password

The username and password are case sensitive. It is strongly recommended that the password be changed after the initial setup to prevent unauthorized access.

Username – Admin

Password – 1234