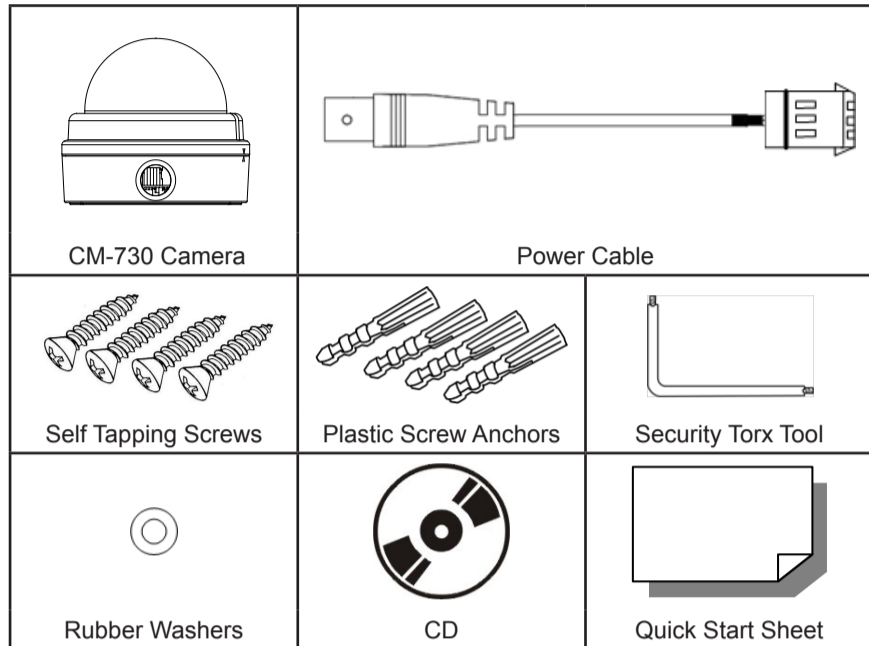
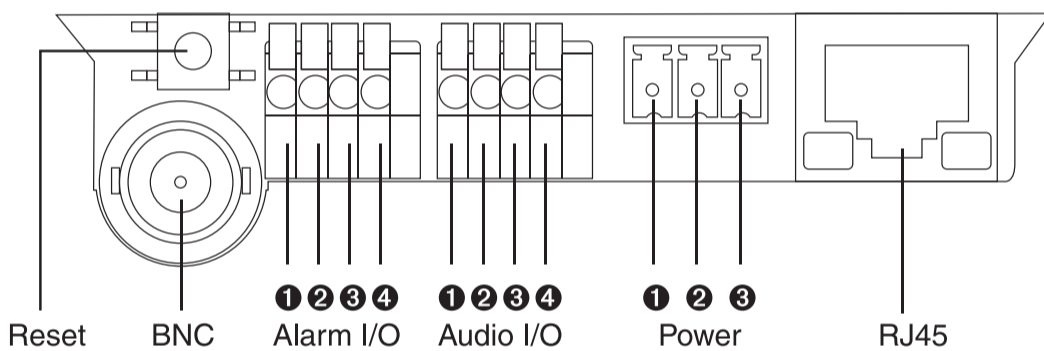


This quick operation guide is a quick reference for users to install and operate the dome camera and only provides basic information on the camera's settings and operation. Before attempting to connect, configure and operate the dome camera, please read the user manual thoroughly.

### Box Contents



### Connections



Item	Pin	Definition
Reset	-	Restore Factory Default Settings
BNC	-	Analog Video Output
Alarm I/O	1	Alarm Output
	2	Alarm Output
	3	Alarm Output
	4	Alarm Output
Audio I/O	1	Input
	2	GND
	3	Output (R)
	4	Output (L)
RJ45	-	10/100 Ethernet PoE
Power 12vDC / 24vAC	1	Power (+)
	2	GND
	3	Power (-)

### Power

The CM-730 camera is compatible with 12vDC, 24vAC and Power over Ethernet (PoE). Connect power to the camera using the provided power connector lead, or the terminal connector blocks. If you are connecting 12vDC power, verify the polarity of the power connection. If you are using PoE, make sure the Power Sourcing Equipment (PSE) is in use in the network.

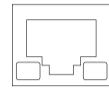
**Note** OpenEye recommends using 24vAC power for all outdoor installations. The heater is less effective if you are using 12vDC or PoE as a power source and this results in a decreased operational temperature range.

Power Source	Operational Temperature Range
24vAC	-40°F~122°F (-40°C~50°C)
12vDC	-4°F~122°F (-20°C~50°C)
PoE	14°F~122°F (-10°C~50°C)

### Ethernet Cable Connection

Connect a network cable to the camera using the RJ45 input and connect the other end of the cable to your network switch or recorder.

**Note** If you are connecting the camera directly to a recorder, a crossover cable is necessary for most configurations.



Check the status of the network connection by looking at the link indicator and activity indicator LEDs. If the LEDs are not lit check your network connection. The green link LED indicates a network connection and the orange activity LED flashes to indicate network activity.

### Connecting to the IP Camera

To access the CM-730 setup menu, you need to install the OpenEye Network Camera Manager on your PC or recorder. To install the OpenEye Network Camera Manager application on your PC, insert the included software CD, or download the program from [openeye.net](http://openeye.net), and follow the prompts.

1. Open **Network Camera Manager**, and click **Find Devices**.
2. Locate your camera on the **Network Camera Manager** list.
3. To open the viewer software in your web browser, double-click the camera, and then click **Browse**.

The first time you connect to the camera you will automatically be prompted to install the ActiveX controller. If your internet browser doesn't install the viewer software, check the security settings or ActiveX controls and plug-in settings. If your internet browser asks for permission to install the ActiveX control, you must allow the ActiveX control to continue the installation.

To enable installation of ActiveX controls on Internet Explorer:

1. From the **Tools** menu, click **Internet Options**.
2. Click the **Security** tab and then click the **Internet** icon.
3. Click **Custom Level** and ensure that all **ActiveX controls and plug-ins** are set to **Enable** or **Prompt**.

To add the camera to your trusted sites:

1. From the **Tools** menu, click **Internet Options**.
2. Click the **Security** tab and then click the **Trusted Sites** icon.
3. Click **Sites**.
4. Type the **IP Address** of the camera. Ensure that the **Require server verification** check box is cleared.

For additional information on adjusting the settings of your internet browser contact your system administrator or refer to the FAQs at [openeye.net](http://openeye.net).

### Default Username and Password

The username and password are case sensitive. It is strongly recommended that the password be changed after the initial setup to prevent unauthorized access.

Username – **Admin**

Password – **1234**

### Assigning an IP Address

OpenEye IP cameras come with the default IP address 192.168.0.250. To reset the IP address, use the OpenEye Network Camera Manager application to set a new static IP, or use DHCP.

1. Open the Network Camera Manager application.
2. Click **Find Devices**, and then double-click your camera.
3. Click **Network Setup**.
4. Select **Static IP** and type the new IP address and other network information in the appropriate boxes.  
- or -  
Select **DHCP**.
5. Click **Apply**.
6. Click **OK** to acknowledge the change.
7. After one minute, click **Find Devices** to search for all connected IP devices.
8. Double-click the camera, and then click **Browse**.
9. Type the **Username** and **Password** to access the camera.

