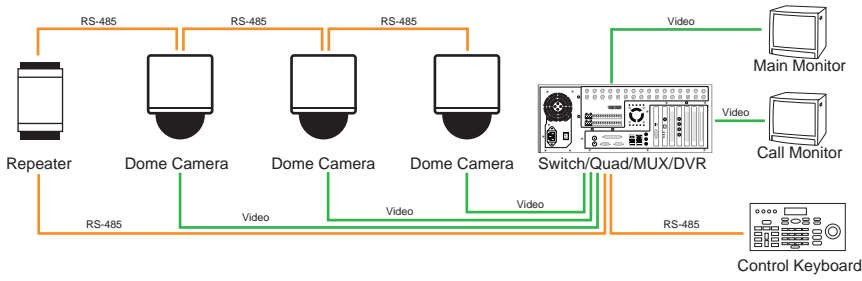


This quick operation guide is a quick reference for users to install and operate the dome camera and only provides basic information on the camera's settings and operation. Before attempting to connect, configure and operate the dome camera, please read the installation guide and the user manual thoroughly.

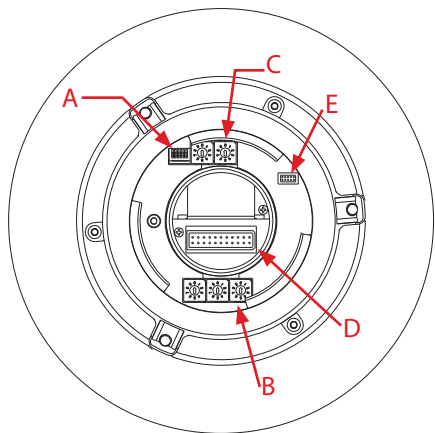
System Configuration



Box Contents

- Dome Camera
- Optical Cover
- Data Cable (AC24V)
- Screws
- Lubricant
- Quick Guide
- Installation & User Manuals

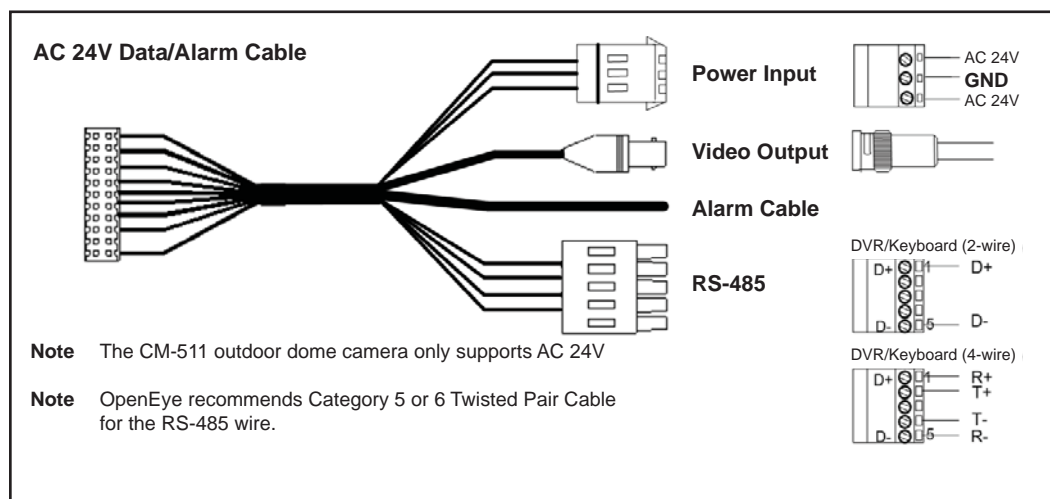
Dome Switch Definition



A	Communication Switch
B	Dome ID Switch
C	Dome Control Protocol Switch
D	22-Pin Connector
E	ISP Connector (for FW upgrade)

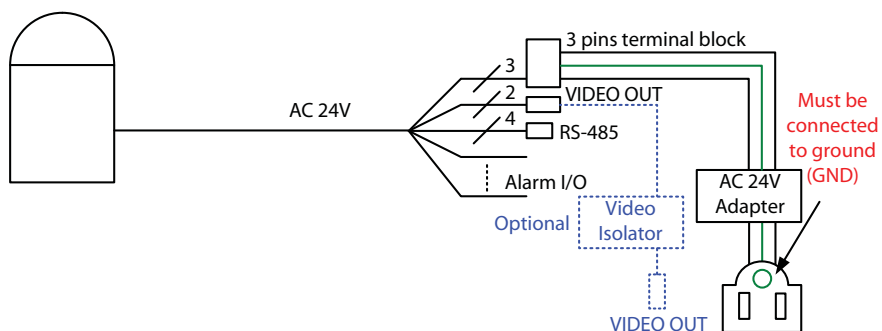
Data Cable and Connector Definition

The data cable supplied with the dome camera is an AC 24V. Refer to the figures below for the definition of each connector before wiring.



Grounding Recommendation

The GND (ground) wire must be directly connected to the middle pin of the AC24V power connector. Failure to connect the ground can cause damage and failure of the camera. If the connection of the GND wire causes video noise, use a video isolator. This is only necessary in some situations.



Power Wire Length Specifications

Wire Gauge	Maximum Distance	Wire Gauge	Maximum Distance
22	27 feet	14	175 feet
20	44 feet	12	279 feet
18	69 feet	10	444 feet
16	110 feet		

Communication Switch Setting

The table below shows the function of each switch within the Communication Switch on the dome back plate.

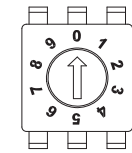
Communication Switch	SW 1	RS-485 Setting
	SW 2	RS-485 Setting
	SW 3	Termination
	SW 4	Line Lock
	SW 5	System Initialization
	SW 6	Reserved

RS-485 Setting	
Half-duplex	Full-duplex

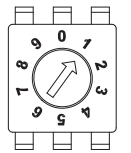
Dome Control Protocol Setting

Refer to the table below and select a protocol and baud rate appropriate for your installation, based on the control device. Adjust the Protocol Switch on the dome camera back plate. For example, the protocol switch should be set as below if you are using the Pelco D protocol, with the switch number of 01 and a baud rate of 2400.

Switch No.	Protocol	Baud Rate
00	VCL	9600
01	Pelco D	2400
02	Pelco P	4800
04	Chiper	9600
05	Philips	9600
07	OPTIX 3*	9600
08	AD422	4800
09	DM P	9600
11	Pelco D	4800
12	Pelco D	9600
13	Pelco P	2600
14	Pelco P	9600
15	JVC	9600
21	Kalatel-485	9600
22	Kalatel-422	4800



Decimal Digit

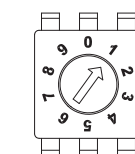


Single Digit

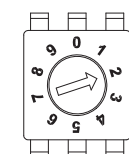
* Default Protocol Setting

Dome ID Setting

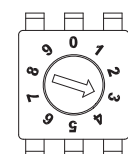
Change the dome ID if there is more than one dome on the same installation. To change the dome camera ID, turn each arrow of the ID switch to the desired number respectively. For example, if the dome ID is 123, the ID switch should be set as below. The default dome ID is 001.



Centesimal Digit



Decimal Digit



Single Digit

22-Pin Connector Definition

When cabling, refer to the figure and table below for information about the definition of each pin on the data cable.

Pin	Definition	Cable
1	AC 24-1/DC (+)	20AWG/18AWG
2	ALM NC	
3	AC 24-2/DC (-)	20AWG/18AWG
4	ALM NO	
5	FG	20AWG/18AWG
6	ALM COM	
7	T+	24AWG
8	R-	
9	T-	
10	R+	
11	ISOG	
12	ALM-1	
13	ALM-3	
14	ALM-2	
15	ALM-4	
16	ALM-5	
17	ALM-6	
18	ALM-7	
19	ALM-8	
20	ALM GND	
21	VGND	20AWG
22	Video	

22-Pin Connection



Dome OSD Menu Tree

The OSD setup menu structure of the CM-511 camera is listed below. The star symbol indicates the factory default.

Item	Layer 1	Layer 2	Layer 3	Default	
LANGUAGE	<ENGLISH>, <JAPANESE>, <PORTUGUESE>, <SPANISH>, <FRENCH>, <GERMAN>, <ITALIAN>, <POLISH>, <RUSSIAN>, <TRADITIONAL CHINESE>, <SIMPLIFIED CHINESE>, <TURKISH>			ENGLISH	
DEFAULT CAMERA	<ON>, <OFF>			ON	
BACKLIGHT	<ON>	BLC LEVEL <00> ~ <30>		OFF	
	<OFF>				
FOCUS	AUTO	AF MODE <NORMAL>, <Z. TRIG.>, <PT TRIG.>		NORMAL	
	MANUAL				
AE MODE	EXPOSURE COMP.	<OFF>, EXPOSURE VALUE: <-10.5dB> ~ <10.5dB>		OFF	
	AE MODE	AUTO	BRIGHT VALUE; SHUTTER SPEED; IRIS VALUE; GAIN VALUE: AUTO	☆	
		SHUTTER	SHUTTER SPEED: <1/60> ~ <1/10000> SEC.		
		IRIS	IRIS VALUE <F1.6>		
		MANUAL	BRIGHT VALUE: AUTO		
	SHUTTER SPEED: <1/60> ~ <1/10000> SEC.				
		GAIN VALUE <-3> dB ~ <28>dB			
	EXIT + SAVE	YES			
	WBC MODE	AUTO (Auto White Balance)			☆
		INDOOR			
OUTDOOR					
MANUAL		R GAIN <000> ~ <127> B GAIN <000> ~ <127>			
IMAGE CTRL	ZOOM SPEED	<1> ~ <8>		8	
	DIGITAL ZOOM	<OFF>, <2x> ~ <12x>		OFF	
	SLOW SHUTTER	<ON>, <OFF>		OFF	
	IMAGE INVERSE	<ON>, <OFF>		OFF	
	FREEZE	<ON>, <OFF>		OFF	
	APERTURE	<01> ~ <16>		07	
	EXIT	YES			
TELEMETRY CTRL	FLIP	<OFF>, <M.E.>, <IMAGE>		OFF	
	ANGLE ADJUSTER	MIN ANGLE <-10 ~ +10 DEG> MAX ANGLE <080 ~ 100 DEG>		0 90	
	SPEED BY ZOOM	<ON>, <OFF>		OFF	
	AUTO CALIBRATE	<ON>, <OFF>		OFF	
	PASSWORD	<ON>, <OFF>			
	OSD AUTO CLOSE	<OFF>, <5> ~ <30> SEC.			
	SYSTEM RESET	SYSTEM RESET <YES> DEFAULT SYSTEM <YES>			
	EXIT	YES			
ID DISPLAY	<ON>, <OFF>		ON		
TITLE DISPLAY	<ON>, <OFF>		OFF		
TITLE SETTING	<01> ~ <16>		1		
PRESET	PRESET SET	<001>~<256>		ENTER	
	PRESET RUN	<001>~<256>		ENTER	
	EXIT	YES			
TOUR	TOUR LINE	<1> ~ <8>		1	
	TOUR POINT	<01> ~ <64>		1	
	PRESET POS.	<001> ~ <255>, <END>		END	
	SPEED	<01> ~ <15>		1	
	DWELL TIME	<000> ~ <127> SEC.		0	
	RUN TOUR	ENTER			
	EXIT	YES			
AUTOSCAN	AUTOSCAN LINE	<1> ~ <4>		1	
	START POINT	<TO FIND>, <TO SAVE>			
	END POINT	<TO FIND>, <TO SAVE>			
	DIRECTION	<RIGHT>, <LEFT>		RIGHT	
	SPEED	<01> ~ <04>		1	
	RUN AUTOSCAN	ENTER			
	EXIT	YES			

Item	Layer 1	Layer 2	Layer 3	Default	
PATTERN	PATTERN LINE	<1> ~ <8>			
	RECORD START	ENTER			
	RECORD END	ENTER			
	RUN PATTERN	ENTER			
	EXIT	YES			
HOME SETTING	HOME FUNCTION	<ON>, <OFF>		OFF	
	SELECT MODE	<PRESET>, <TOUR>, <AUTO-SCAN>, <PATTERN>		PRESET	
	PRESET POINT	<001> ~ <256>		1	
	TOUR LINE	<1> ~ <8>		1	
	AUTOSCAN LINE	<1> ~ <4>		1	
	PATTERN LINE	<1> ~ <8>		1	
	RETURN TIME	<1> ~ <128> MIN.		1	
GO	ENTER				
EXIT	YES				
IR FUNCTION	<AUTO>	THREADHOLD <MID>, <HI>, <LOW>		AUTO	
	<MANUAL>	IR MANUAL <ON>, <OFF>			
ALARM SETTING	ALARM PIN	<1> ~ <8>		1	
	ALARM SWITCH	<ON>, <OFF>		OFF	
	ALARM TYPE	<NO> (Normal Open), <NC> (Normal Close)		NC	
	ALARM ACTION	<PRESET>, <TOUR>, <AUTO-SCAN>, <PATTERN>		PRESET	
	PRESET POINT	<001> ~ <256>		1	
	TOUR LINE	<1> ~ <8>		1	
	AUTOSCAN LINE	<1> ~ <4>		1	
PATTERN LINE	<1> ~ <8>		1		
DWELL TIME	<001> ~ <127> Sec., <ALWAYS>		ALWAYS		
EXIT	YES				
ALARM DETECT	<NONE>		NONE		
WDR FUNCTION	<ON>, <OFF>		ON		
PRIVACY MASK	PRIVACY SWITCH	<ON>, <OFF>		OFF	
	TRANSPARENCY	<ON>, <OFF>		OFF	
	MASK SHADE	<BLACK>, <WHITE>, <RED>, <GREEN>, <BLUE>, <CYAN>, <YELLOW>, <MAGENTA>		BLACK	
	SET MASK	<01> ~ <16>	H CENTER: L/R V CENTER: D/U H SIZE <000> ~ <080> V SIZE <000> ~ <080> EXIT + SAVE		
	CLEAR MASK	<01> ~ <16>			
	EXIT	YES			
TIME SETTING	TIME DISPLAY	<ON>, <OFF>			
	SET YEAR	<00> ~ <99>			
	SET MONTH	<01> ~ <12>			
	SET DAY	<00> ~ <31>			
	SET HOUR	<00> ~ <23>			
	SET MINUTE	<00> ~ <59>			
	EXIT+SAVE				
SCHEDULE	SWITCH	<ON>, <OFF>		OFF	
	POINT	<01> ~ <32>		1	
	HOUR	<00> ~ <23>		0	
	MINUTE	<00> ~ <59>		0	
	MODE	NONE	NO FUNCTION		☆
		PRESET	PRESET POINT <001> ~ <256>		
		TOUR	TOUR LINE <1> ~ <8>		
		AUTOSCAN	AUTOSCAN LINE <1> ~ <4>		
		PATTERN	PATTERN LINE <1> ~ <8>		
	IR FUNCTION	IR FUNCTION <AUTO>, <ON>, <OFF>			
SCHEDULE RESET	YES				
EXIT	YES				
EXIT OSD	YES				