

100-SERIES - TAMPER RESISTANT IR DOME

CM-135



CM-135



CM-145

CM-145

CM-145H

DESCRIPTION

OpenEye's 100-Series IR dome cameras are available in both indoor and outdoor housing options. The 24 high-intensity infrared LEDs allow the 100-Series cameras to record at up to 550 lines of resolution in 0 lux. An integrated optical lens gasket eliminates infrared bleed and helps to provide a clear night time image.

With toolless 3 axis gimbal positioning, Optix 100-Series cameras come with everything needed for a quick and easy out-of-the-box installation.

HIGHLIGHTS

- » 24 High-Intensity IR LEDs
- » Toolless 3 Axis Gimbal for 360° Positioning
- » Tamper Resistant Construction
- » Optically Correct Bubble

360°



rotate

55°



tilt

100-SERIES - TAMPER RESISTANT IR DOME

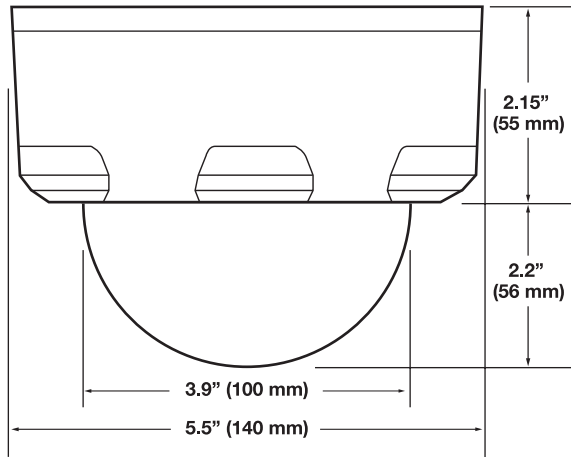
CAMERA SPECIFICATIONS

	CM-135	CM-145	CM-145H
Image Sensor	1/3" Sony SuperHAD	1/3" Sony SuperHAD	1/3" Sony SuperHAD
Imaging DSP	NEXT NVP2020	Sony HQ1	Sony HQ1
IP Rating	N/A	IP66	IP66
Type / Format	NTSC	NTSC	NTSC
Wide Dynamic Range	No	No	No
Minimum Illumination	0.3 lux @ F1.2 (30 IRE, AGC On) 0.5 lux @ F1.2 (50 IRE, AGC ON) 0 lux @ F1.2 (IR LED)	0.3 lux (Normal) 0 lux (IR LED)	0.3 lux (Normal) 0 lux (IR LED)
Day / Night	IR Emitting DN	IR Emitting DN	IR Emitting DN
Horizontal TVL	530 TVL	550 TVL	550 TVL
Service Monitor Jack	Yes, RCA	Yes, RCA	Yes, RCA
S/N Ratio	>48dB (AGC Off)	> 50dB (AGC off)	> 50dB (AGC off)
Focal Length	4 mm	4 mm	4 mm
Iris Control	N/A	ELC	ELC
Synchronization	Internal	Internal	Internal
Video Output	1.0Vpp 75Ω BNC Unbalanced	1.0Vpp 75Ω BNC Unbalanced	1.0Vpp 75Ω BNC Unbalanced
White Balance	ATW	Auto	Auto
AWB Range	1800 K ~ 11000 K	2100 K ~ 10000 K	2100 K ~ 10000 K
Backlight Compensation	On / Off (Level Adjustable)	On / Off	On / Off
Auto Gain Control	On / Off (Level Adjustable)	On / Off	On / Off
Operating Temperature	14°F ~ 122°F (-10°C ~ 50°C)	14°F ~ 113°F (-10°C ~ 45°C)	-22°F ~ 113°F (-30°C ~ 45°C) -49°F ~ 113°F (-45°C ~ 45°C)*
Heater	No	No	Yes
Power Consumption	3.6W (Max)	3W Max (Normal), 5W Max (IR LED)	13W Max (Normal), 15W Max (IR LED)
Rated Amperage	0.28A	0.4A (12vDC) / 0.3A (24vAC)	0.8 A
Input Voltage	12vDC (±10%)	12vDC / 24vAC (±10%)	24vAC
IR Range	Up to 50 ft (15 m)	Up to 50 ft (15 m)	Up to 50 ft (15 m)
IR LED	24 (850nm / 30°)	24 (850nm / 30°)	24 (850nm / 30°)
Weight	0.8 lbs (0.366 kg)	1.86 lbs (0.844 kg)	1.86 lbs (0.844 kg)
Dimensions	Dome: Ø3.9" (100 mm) x H: 2.2" (56 mm) Housing: Ø5.5" (140 mm) x H: 2.15" (55 mm)	Dome: Ø3.9" (100 mm) x H: 1.86" (47.15 mm) Housing: Ø5.71" (145 mm) x H: 2.12" (53.85 mm)	
Housing / Dome Cover	White / Smoked	White / Smoked	White / Smoked

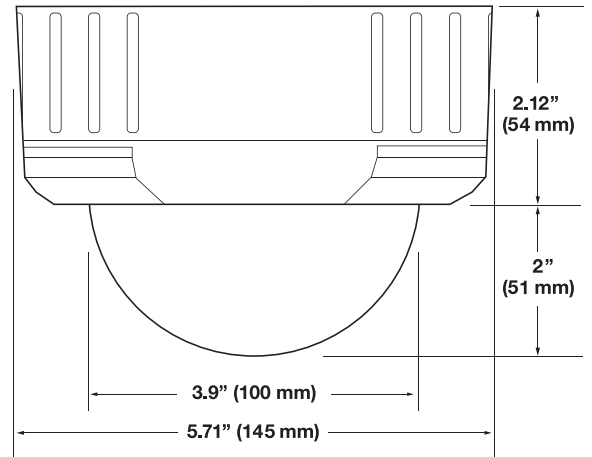
* If power is lost in extreme conditions, the camera requires 10 minutes of warm up time, and then a power cycle to produce a usable image.

100-SERIES - TAMPER RESISTANT IR DOME

SYSTEM IMAGES



CM-135



CM-145

ACCESSORIES / UPGRADES

CA-145WM Wall Mount

CA-145HTR Heater Module for CM-145

100-SERIES MODELS

CM-135 Indoor IR Dome Camera

CM-145 Outdoor IR Dome Camera

CM-145H Outdoor IR Dome Camera with Heater