

511-SERIES - 23X OUTDOOR PTZ DOME

CM-511



DESCRIPTION

OpenEye's 511-Series IP66 rated weatherproof 23x optical zoom camera is an excellent solution for outdoor PTZ surveillance. With its all-in-one cabling design and complete integration with OpenEye DVRs and keyboard controllers, installation or configuration of the CM-511 camera is quick and easy.

OpenEye's 511-Series offers you the options that matter in total security protection. Equipped with a 23x optical zoom, indoor/outdoor temperature controlled housing, and sun shield, the 511-Series camera is ruggedly constructed for every environment.

HIGHLIGHTS

- » 23x Optical Zoom
- » IR Sensitive
- » Wide Dynamic Range (WDR)
- » Backlight Compensation
- » 540 TVL Resolution
- » 8 Alarm Sensor Inputs
- » IP 66 Rated for Indoor/Outdoor Use
- » Integrated Sunshield



511-SERIES - 23X OUTDOOR PTZ DOME

CAMERA SPECIFICATIONS

Model Number	CM-511
Image Sensor	1/4" Hitachi
Imaging DSP	Hitachi DSP-8
IP Rating	IP66
Type / Format	NTSC
Wide Dynamic Range	Yes
Minimum Illumination	0.01 Lux (B/W) / 0.1 Lux (Color), 50 IRE @ F1.6
Day / Night	Yes (True Day Night)
Horizontal TVL	540 TVL
Service Monitor Jack	No
S/N Ratio	>50dB
Focal Length	F1.6, f3.6 ~ 82.8mm
Iris Control	Auto / Manual
Synchronization	Internal / Line Lock
Video Output	1.0 Vpp / 75Ω, BNC
White Balance	Auto / Manual
AWB Range	2,800 K ~ 8,000 K
Backlight Compensation	On / Off
Auto Gain Control	Auto / Manual
Operating Temperature	-49°F~ 122°F (-45°C ~ 50°C)
Heater	Yes
Power Consumption	65W (Max)
Rated Amperage	2.71A
Input Voltage	24VAC ±10%
Weight	5.7 lbs (2.58 kg)
Dimensions	Dome: Ø7.4" (190mm) x H: 11.9" (302.5mm)
Housing / Dome Cover	White / Clear

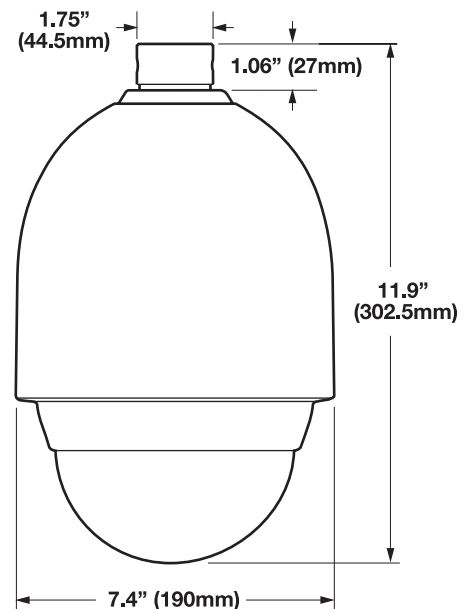
PTZ SPECIFICATION

Built-in Protocol	Optix III, Pelco D&P, VCL
Optical Zoom	23x
Pan/Tilt Range	360° Endless / -10° ~ 190°
Presets	256
Preset Accuracy	±0.225°
Preset Speed	400°/sec.
Pattern	1
Tour (Group)	8
Auto Scan	4
Privacy Mask	8
Zone Title	16
Home Function	Preset, Pattern, Tour, Autoscan
Auto Flip	Digital / Mechanical / Off
Digital Slow Shutter	On / Off
Focus Mode	Auto / Manual
Alarm Input	8
Alarm Output	1

511-SERIES MODELS

CM-511 23x Outdoor PTZ Dome

SYSTEM IMAGES



ACCESSORIES / UPGRADES

CA-510G	Gooseneck Pole Mount
OE-CA510W	Wall Mount Bracket
OE-CA510C	Corner Plate
OE-CA510P25	25cm Pole Adapter
OE-CA510P50	50cm Pole Adapter
OE-CA510PML	Large Pole Mount
CA-510PMS	Small Pole Mount
OE-CA510PA25	1 1/4" Threaded Adapter
OE-CA510PA50	1 1/2" Threaded Adapter