

## 200-SERIES - TAMPER RESISTANT INDOOR DOME

**CM-201**  
**CM-215**

**CM-205**  
**CM-205-L9**



### DESCRIPTION

OpenEye's 200-Series dome cameras are available with high resolution sensors, providing users a better quality picture and allowing for easy identification in critical situations. 200-Series High Resolution cameras can record at up to 540 lines of resolution in standard light and 560 TVL lines in low light.

With features such as a low lux level for nighttime recording, a high 540 TV line resolution, and a tamper resistant design, the 200-Series domes are a smart choice for indoor surveillance applications. Available in either the wide dynamic range model, with DPS image processing for high contrast recording, or the high resolution model, Optix 200-Series cameras come with everything needed for a quick and easy out-of-the-box installation.

The CM-215 wide dynamic range camera is perfectly suited for recording any outdoor facing location where high contrast sunlight and indoor lighting is a problem. For recording high resolution video and superior low lux performance use our CM-205 and CM-205-L9 high resolution cameras.

### HIGHLIGHTS

- » Tamper Resistant Construction
- » 3 Axis Gimbal for 360° Positioning
- » Dual Voltage Operation 12vDC/24vAC
- » Optically Correct Bubble
- » Varifocal Lenses
- » High Resolution Model Available
- » Wide Dynamic Range Model Available



# 200-SERIES - TAMPER RESISTANT INDOOR DOME

## CAMERA SPECIFICATIONS

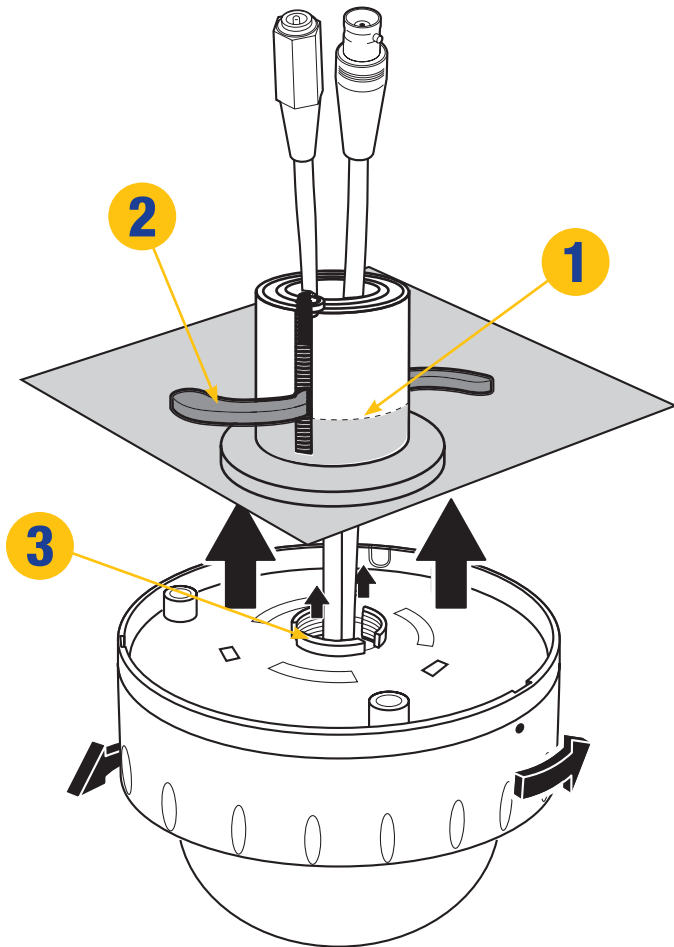
	CM-201	CM-205	CM-205-L9	CM-215
<b>Image Sensor</b>	1/3" Sony SuperHAD	1/3" Sony SuperHAD		1/3" Pixim Orca
<b>Imaging DSP</b>	Sony SS-11x	Sony HQ-1		Pixim
<b>IP Rating</b>	IP55	IP55		IP55
<b>Type / Format</b>	NTSC	NTSC		NTSC
<b>Wide Dynamic Range</b>	No	No		Yes, 120dB Max Dynamic Range
<b>Minimum Illumination</b>	1.2 lux @ F1.6 (50 IRE)	0.6 lux @ F1.2 (50 IRE)		0.6 lux @ F1.2 (50 IRE)
<b>Day / Night</b>	Yes	Yes		Yes, (Auto, On, Off)
<b>Horizontal TVL</b>	500 TVL	<b>Day:</b> 540 TVL <b>Night:</b> 570 TVL		504+ TVL
<b>Service Monitor Jack</b>	No	Yes, 2.5mm (3/32) T/S Jack		Yes, 2.5mm (3/32) T/S Jack
<b>S/N Ratio</b>	48dB	>50dB		>48dB @ F1.2, 50 IRE
<b>Focal Length</b>	4~9 mm	3.3~12 mm	9~22 mm	3.3~12 mm
<b>Iris Control</b>	DC Type Auto IRIS Control	DC Drive		DC Drive
<b>Synchronization</b>	INT	INT / LL		INT / LL
<b>Video Output</b>	1.0Vpp 75Ω BNC Unbalanced	1.0Vpp 75Ω BNC Unbalanced		1.0Vpp 75Ω BNC Unbalanced
<b>White Balance</b>	AWB	AWB, AWB-EX		AWB, ATW, MWB, ATW-EX
<b>Auto White Balance Range</b>	2500 K ~ 9700 K	2700 K ~ 11000 K (AWB-EX 2000 K ~ 18000 K)		2200 K ~ 7500 K (AWB-EX 2000 K ~ 11000 K)
<b>Backlight Compensation</b>	Central Area for DC IRIS Lens	Center Area		Fully Adjustable
<b>Auto Gain Control</b>	ON/OFF	AGC-EX / AGC Norm		Fully Adjustable
<b>Operating Temperature</b>	14°F ~ 122°F (-10°C ~ 50°C)	14°F ~ 122°F (-10°C ~ 50°C)		14°F ~ 122°F (-10°C ~ 50°C)
<b>Heater</b>	No	No		No
<b>Power Consumption</b>	3.2W (Max)	4.2 W (Max)		4.2 W (Max)
<b>Rated Amperage</b>	0.27A (12vDC) / 0.13A (24vAC)	0.35A (12vDC) / 0.175A (24vAC)		0.35A (12vDC) / 0.175A (24vAC)
<b>Input Voltage</b>	12vDC / 24vAC (±10%)	12vDC / 24vAC (±10%)		12vDC / 24vAC (±10%)
<b>Weight</b>	0.6 lbs (0.27 kg)	0.6 lbs (0.27 kg)		0.6 lbs (0.27 kg)
<b>Dimensions</b>	<b>Dome</b> Ø3.9" (100 mm) x <b>H:</b> 2.1" (55 mm)	Ø3.9" (100 mm) x <b>H:</b> 2.1" (55 mm)		Ø3.9" (100 mm) x <b>H:</b> 2.1" (55 mm)
	<b>Housing</b> Ø4.7" (120 mm) x <b>H:</b> 1.9" (50 mm)	Ø4.7" (120 mm) x <b>H:</b> 1.9" (50 mm)		Ø4.7" (120 mm) x <b>H:</b> 1.9" (50 mm)
<b>Housing / Dome Cover</b>	White / Clear	White / Clear		White / Clear

# 200-SERIES - TAMPER RESISTANT INDOOR DOME

## QUICK MOUNT ADAPTER

Installing a camera using OpenEye's Quick Mount Adapter is as easy as 1...2...3. Perfect for attaching cameras to acoustic tile, drywall and other similar surfaces, the Quick Mount Adapter can reduce camera installation times by up to 80%. Quick Mount Adapters can be pre-installed by general labor, allow for easy camera service or future upgrades, and prevent damage to ceiling tiles and finished surfaces. For these reasons, and many more, OpenEye's Quick Mount Adapter is an excellent time and money saving device for the security installer.

- 1 Cut a hole in the mounting surface using the provided template.
- 2 Insert and secure the adapter by turning the fastening screws to lock it firmly in place.
- 3 Connect the video and power cables then attach the camera to the adapter.



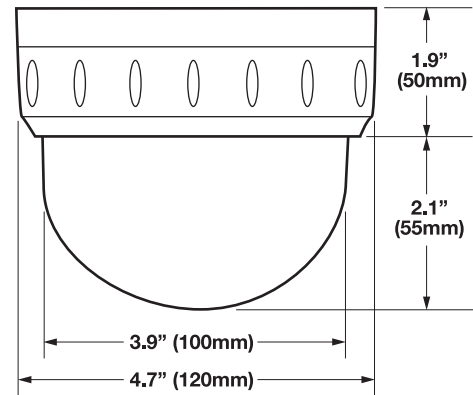
## HIGH RESOLUTION

OpenEye's 200-Series Domes are available with high resolution sensors, providing users a better quality picture and allowing for easy identification in critical situations. The CM-205 High Resolution cameras can record at up to 540 lines of resolution in standard light and 570 in low light. The CM-205 cameras can be utilized in day and night applications recording in lighting as low as 0.6 lux.

## WIDE DYNAMIC RANGE

OpenEye's CM-215 Wide Dynamic Range Mini Dome utilizes Digital Signal Processing (DSP) technology to create the clearest image possible. DSP Technology provides unmatched image quality and superior image clarity in high dynamic lighting conditions. Cameras equipped with DSP technology will produce far superior recorded images in drastic lighting conditions such as direct sunlight.

## SYSTEM IMAGES



## 200-SERIES MODELS

<b>CM-201</b>	Standard Indoor Dome Camera
<b>CM-205</b>	High Resolution 3.3~12 mm Lens
<b>CM-205-L9</b>	High Resolution 9~22 mm Lens
<b>CM-215</b>	Wide Dynamic Range 3.3~12 mm Lens

## ACCESSORIES / UPGRADES

<b>CA-200PMK</b>	Pendant Mount
<b>CA-200C</b>	Corner Mount
<b>CA-2004SM</b>	Electrical Mount
<b>CA-200W</b>	Pendant Wall Mount
<b>CA-200WM</b>	Wall Mount
<b>CA-200FMK</b>	Flush Mount